

**Shanghai Jianghuai Environmental Equipment Co.,LTD**

# Hand Push Floor Scrubber

## OWNER'S GUIDE



**Shanghai Jianghuai Environmental Equipment Co.,LTD**

**Address: No.2556,Gaoshi Road ,JiaDing District .shanghai City**

**Tel.:+86 021 59970661 Fax: +86 021 59970661**

## Shanghai Jianghuai Environmental Equipment Co.,LTD

Before the first use of equipment ,please read equipment operating .

When ordering replacement parts,pls kindly check the Parts manual that came with the machine. Before matching the accessories, please make sure your machine model and serial number.You can connect us by by telephone or mail.If you can and then do the following, you will be able to get the best results at the lowest cost:

- operating the machine carefully
- Pls maintenance the machine regularly according to the Maintenance Instructions of operating guide
- Pls maintance with the same level of accessories or using the original accessories.

Shanghai jianghuai environmental equipment CO.,LTD

Add:NO.2556, Gaoshi Road ,Jiading District , Shanghai City

TEL.:+86-021-59970661

FAX:+86-021-59970661

Machine Information

Please fill in at installation for future reference.

Model number-

Machine No.-

Machine Options-

Sales Manager-

Tel -

Client No.-

Installation Date-

# Catalogue

Precautions .....	4
Machine operating instructions .....	6
Machine Installation .....	7
Open packaging machines .....	7
Install battery .....	8
Working methods of Machine .....	8
Information of Brush and scouring pad .....	9
Machine installation .....	9
Brush / scouring pad Installation .....	10
Machine operation .....	10
Preflight Checks .....	10
Operating the machine .....	11
During operation of the machine .....	11
Battery charge gauge .....	11
Drain Tank .....	11
Battery charge .....	12
Machine maintenance .....	13
Daily maintenance .....	13
Monthly maintenance .....	14
Quarterly Maintenance .....	15
Handling Machine .....	15
Storage Machine .....	15
Operational steps.....	16
Machine Components.....	17
Sewage tank system.....	18
Trouble excluding .....	25
Machine Dimensions.....	26

## Precautions

This machine is suitable for industrial and commercial purposes, specifically for cleaning interior hard floors.

Please use the recommended scouring pads , brushes, and commercially floor cleaners which is applicable to this machine .

All operators must read, understand and observe the following safety precautions.

The following are explained for the safety alert symbol and "For security purposes" title:



Warning: for warning serious injury or death risks or unsafe operation.

FOR SAFETY: To identify actions that must be followed when using the machine in order to guarantee safety.

Failure to comply with these warnings may result in: personal injury, electrocution, fire, or explosion.



WARNING: Fire or explosion hazard

— Do not use flammable liquids; Do not operate the machine near or flammable liquids, gases or combustible dust workplace .

This machine is not equipped with an explosion proof motor. If you use the machine in a place with flammable gas, liquid or flammable dust may be in start-up and during the operating of the electric motor will produce a spark, may cause a flash fire or explosion.

- Do not pick up flammable materials or reactive metals.
- Battery release hydrogen. Keep away from sparks or open fire.

## Shanghai Jianghuai Environmental Equipment Co.,LTD

Battery compartment shall be kept open while charging .



Warning: Risk of electric shock. Before maintaining the machine, pls disconnect the battery cable.



Warning: When the rotating brush running, do not touch it. Turn off the power before servicing the machine.

The following situation would be dangerous to the operator or equipment :  
For security purposes

1. Do not operate the machine:

- Contact with flammable liquids or near flammable gases,  
It could cause an explosion or flash fire situation.
- Unless you have been trained and authorized to operate the machine.
- Unless you have read and understood the Operator's Manual
- If not in the case of correct operation.

2. Before starting the machine:

- Make sure that all safety devices are on positioning and operating properly.

3. When using the machine:

- Go slow on inclines and slippery surfaces.
- Wearing non-slip shoes.
- Please slow down when turning.
- When the Machinery Breakdown or faulty operation pls immediately report.
- Do not let children play on or near the machine.
- Follow mixing and handling instructions on chemical containers.

4. Before leaving and maintaining the machine :

- Park the machine on a stable surface.
- Turn off the machine.

5. When maintaining the machine:

- Avoid to move the accessories. Do not wear loose T-shirt, shirt or cuff.

## **Shanghai Jianghuai Environmental Equipment Co.,LTD**

- Before operating the machine, disconnect the battery cable.
- Wearing protective gloves and eye protection when handling batteries or battery cable.
- Avoid contact with battery acid fluid.
- Do not high pressure spraying or hosed this machine.
- Use manufacturer supplied or approved replacement parts.
- All repairs must be performed by qualified Maintenance staff.
- Do not modify the original design of the machine.

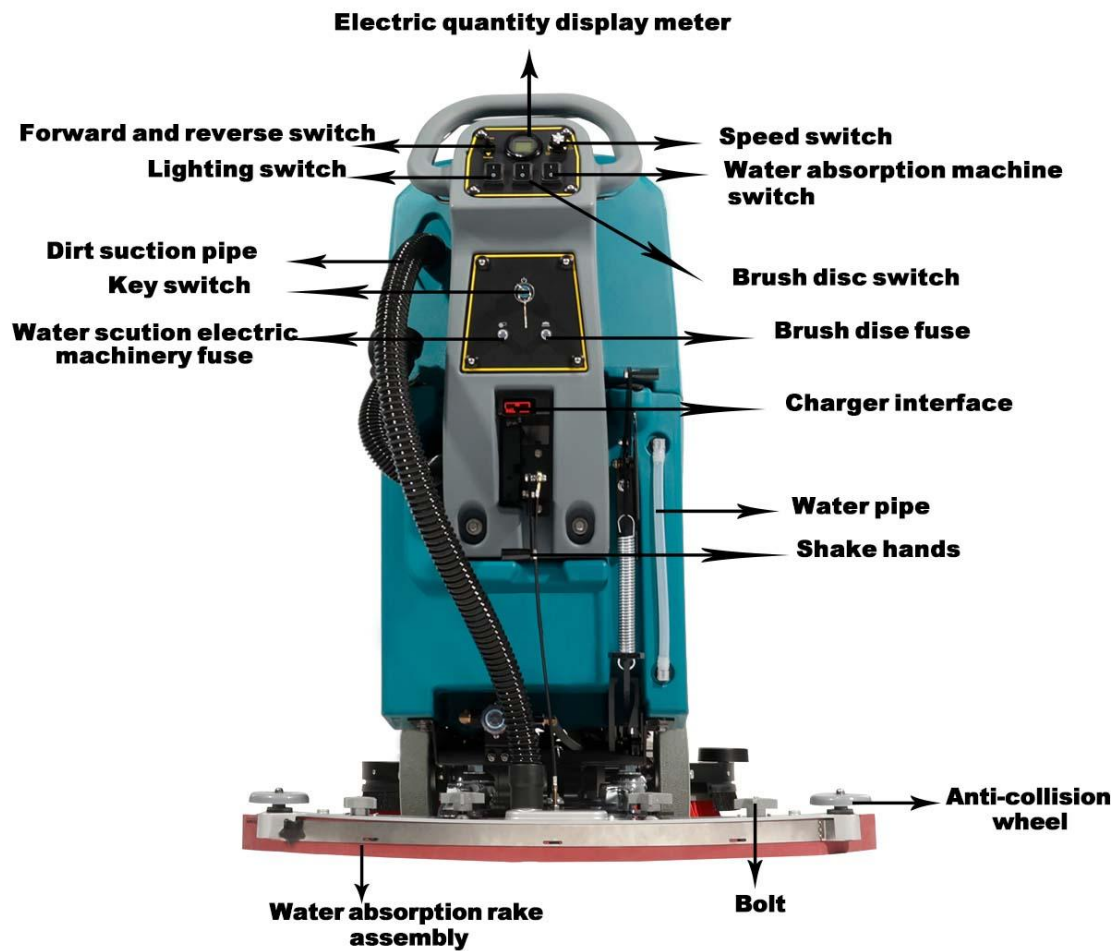
### **6. When moving the machine:**

- Pls turn off the machine.
- Do not carry the machine when equipped with batteries.
- Pls handle the machine with others assistance.
- When unloading machine from a truck or trailer, use the recommended loading floor. — Use the rope to fix the machine on a truck or trailer.
- Put the brush head down to the lowered position.

### **Machine operating instructions**

Shanghai Jianguhai Environmental Equipment Co.,LTD





## Machine Installation

Open packaging machines

1. Pls check carefully to confirm that if there is a case of damage on the machine box.

If it is damaged pls response to us immediately.

2. Check the cargo contents list ,if any missing items, please contact us.

Freight contents:

- 12V Two batteries-Standard
- 24V Charger — Standard



## Shanghai Jianguhai Environmental Equipment Co.,LTD

- A set of Battery cable - Standard
- One Squeegee blade - Standard
- One brush —Standard
- One needle plate—Standard
- Other accessories - Optional

3 Before disassemble the packing of machine , pls remove the machine fixed shipping fixture and rope on the warehouses. With assistance,unloading the machine carefully from the warehouse.

Note: If you do not use the loading floor, do not directly promote the machine to avoid Machinery Breakdown.

Note: To avoid machine damage, please unload the machine from the warehouse and then install the battery.

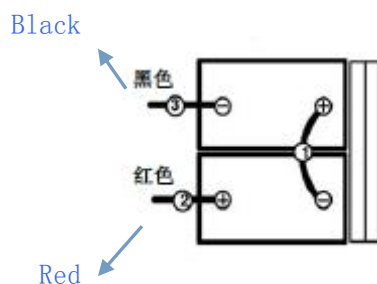
### Install battery



WARNING: Fire or explosion hazard. Battery release hydrogen. Keep away from sparks or open fire. The battery cover shall be kept open while charging .

- 1 Park the machine on level ground, and take out the key.
- 2 Lift the water tank so that the battery compartment is exposed can be touched.

Carefully install batteries in the battery compartment gates, and in accordance with the shown below



Connect the battery positive cable machine

Note: Do not throwing the battery to the battery compartment, to prevent damage to the battery and the machine.

## Shanghai Jianghuai Environmental Equipment Co.,LTD

4 Before connect the battery, make sure whether the electrodes and electrical terminals are clean. As required using an electrode cleaning fluid and a wire brush.

Description: Apply in a thin layer of metal-free lubricant or spray protection on the wiring connections to avoid battery corrosion.

5. After installing the battery, pls check the power scale of battery gauge. Depending on the battery needs to charge.

### Working methods of Machine

Manual control valve to adjust the amount of water on the ground through adjusting the cleaning solution (water and detergent). Brush use the mixed detergent and water solution to clean the floor . While the machine forward ,the squeegee suck the sewage into sewage tank .

### Information of Brush and scouring pad

To ensure the best performance,Please use the correct brush type for cleaning.We recommend the use of brushes and scouring pads as follows:

#### **Soft nylon brush (white)**—

Recommendations for cleaning coating ground floor without injury. Clean without leaving scratches.

#### **Polishing Pad (White)**—

For maintaining a high degree of light slip or polishing the floor.

#### **crash pad (Red)** —

It used to wipe dirt slight ground without injury

#### **Gravity folded pads (Black)** —

Removing the thick coating or substrate forcefully or scrubbing strongly

### Machine installation

1. Park the machine on level ground and remove the key.
2. The squeegee lift lever down to a lower position.
- 3.The vacuum suction pipe connected to the squeegee assembly.

Check the squeegee blades and make appropriate adjustments.

## **Brush / scouring pad Installation**

Description: It is recommended to use brushes and scouring pads, refer to the manual "Brush and scouring pad Information" one.

1. Park the machine on level ground and remove the key.
2. Slam brush lift pedal, so that the brush head is raised off the ground.
3. First scouring pad is set with the needle seat, and then install the driver disk.Tighten the central lock will be fixed scouring pad.
4. Insert the needle/brush installed column bolt on motor drive tray card clasp, press the brush plate of the motor switch.
5. To dismount the hub and brush, brush lift pedal slam, so the head is raised off the ground, press the brush motor switch plate.

## **Machine operation**

FOR SAFETY: Before operating manual has not been read and understood. Do not operate the machine.

WARNING: Fire or explosion hazard. Do not located near or flammable liquids, gases or combustible dust place to operate the machine

## **Preflight Checks**

- Clean the dust on the ground.
- Check battery power scale gauge. (Refer to the battery charge gauge)
- Check the wear condition of scouring pad / brush.
- Check the wear condition of squeegee blade, and adjust the angle.
- Determine the recovery tank is empty,and clean floating filter has been installed.
- Check the wear condition of brush.

## **Operating machine**

## Shanghai Jianghuai Environmental Equipment Co.,LTD

1. Key to turn on the main power supply to (I) position.
2. The squeegee lift lever to pull down, so that the squeegee assembly lowered to the ground.
3. On the brush head lifting pedal, make the brush head fell to the ground.
4. Open the water control knob.
5. Press the brush plate motor switch, then press the suction motor switch.
6. Motor drive models: The speed control knob to your desired cleaning speed

**Note: We recommend the use of 45-60 meters per minute cleaning speed.**

### During operation of the machine

WARNING: Fire or explosion hazard. Do not pick up flammable materials or reactive metals.

1. Each channel overlap 5 cm cleaning path.
2. The machine continues to avoid damage to the ground.
3. Such as squeegee absorbing water, the ground drag marks, wipe with a cloth tape to remove garbage. Prior produce clean to prevent drag marks.
4. Do to the slope exceeds 5% (3 °) slope to operate the machine.

FOR SAFETY: When using machine, on slopes and slippery surface of the ground, move slowly.

5. If too much foam, will recommend the use of anti-foaming agent solution was poured into water tank.

Note: Do not allow foam to enter the filter, in order to avoid damage to the vacuum motor. Foam will filter switch does not fail.

6. Use double cleaning method to clean heavily soiled areas. First squeegee lifted for cleaning, let the impregnation solution 3-5 minutes, will lower the squeegee and clean again.
7. Depending on the need to replace or rotate scouring pad.

8. Observe the battery power consumption table (refer "Battery power table").

9. check the remaining amount of liquid through water tank level gauge. Traditional laundry way: water consumption is 10L per 10 minutes.

10. When the water in box runs out, empty the water tank firstly and then re-inject the solution.

## Shanghai Jianghuai Environmental Equipment Co.,LTD

11. When staff leave the machine, place the machine parked on level ground and remove the key.

12. After cleaning, carry out daily maintenance procedures (see "Machine Maintenance").

### Battery charge gauge

Battery charge gauge displays the battery's power. When the batteries are fully charged, all the lights are on. With power consumption, the light will go out from right to left. To prolong battery life, do not let the light goes out less than the following electricity consumption.

Note: To extend battery life, be sure to use the machine total number of more than 30 minutes before the battery be charged.

### Tank Drain

After using, the recovery of tank should be drained and cleaned. The tank should be cleaned regularly to remove any corroded areas. Handling the machine to the drainage location, turn off the power key, Drainage discharge follow instructions:

FOR SAFETY: Before leaving or servicing machine, stop on level surface and turn off machine and remove key.

1. According to the counterclockwise direction to unscrew the recovery tank drain cover, remove it.
2. Open the cover of tank and flush it.
3. Remove and rinse bits floating in the sewage tank filter.

### Battery charge

Note: To prolong battery life and ensure the best performance of the machine, the machine must be used more than 30 minutes to carry out the battery charge. Do not let the battery on a state of no power for long time. The following charging instructions are applicable to this machine comes with a charger. Be sure to use the following specifications of the charger, so as not to damage the battery.

Battery charger:

- Charger type: - Lead-acid battery charger
- Output voltage: - 24 V

## Shanghai Jianghuai Environmental Equipment Co.,LTD

- Output electric current: - 15Am
- Automatic power-off circuit
- Suitable for deep cycle type battery charge

1. Moving the machine to a well-ventilated place for charging.

**WARNING:** Fire or explosion hazard. Battery release hydrogen. Keep away from sparks or open fire. Shall be kept open while charging the battery compartment.

2. Park the machine on level ground, and turn key to the off position.

3. Before charging, check the electrolyte level in the battery unit

FOR SAFETY: When servicing machine, wear protective gloves and eye protection when handling batteries and battery connections. Avoid contact with battery acid fluid.

4. When charging, opening the side of water tank for ventilation.

5. The charger AC (alternating current) power cord into a properly grounded electrical outlet.

6. The charger's DC (direct current) cable into the rear of the recovery tank battery charging socket.

7. The charger will charging automatically and shut down automatically when they are filled.

**Explanation:** The machine will not operate when connected to the charger. Note: During charger, do not pull the charger DC line

Pull the socket out of the machine. In order to avoid arcing. Such as charging way must suspend charging Unplug the AC power cord.

**WARNING:** Fire or explosion hazard. Battery release hydrogen. Keep away from sparks or open fire. Shall be kept open while charging the battery compartment.

8. After charging, check the electrolyte surface height again.

### Machine Maintenance

If you follow the maintenance procedures every day, every week and every month. the machine can be kept in the best working performance. Warning: Risk of electric shock. Before performing any maintenance disconnect the battery cable.

## Shanghai Jianghuai Environmental Equipment Co.,LTD

### Daily maintenance (after each using)

1. Drain and clean the recovery tank
2. Detaching and rinse water tank located floating filter
3. Drain water tank, and depending on the need, Rinse the tank by less 60 °C hot water.
4. Unloading take scouring pad / brush to clean. If worn, flip or replace scouring pad
5. Wipe the squeegee blade. The squeegee assembly placed in the raised position to prevent tape damage.
6. Check the wear condition of the squeegee blade edge of the strip. Subject to wear and tear, the strip two swap.
7. Multipurpose cleaner and a damp cloth to wipe the machine. FOR SAFETY: When cleaning up the machine, do not spray or high pressure water pipe flushing machines. In order to avoid failure of electronic components.
8. Check the wear condition of the head skirt, replace if loss or damage verdict.
9. Battery charge. In order to prolong battery life and ensure the best performance of the machine, you must use the time over in the machine over 30 minutes or more to carry out the battery charge.

### Monthly maintenance (after using 80 hours)

1. Removing the water tank and filter from the machine, then clean the filter. Make sure empty the water tank before removing the filter.
2. Clean the top surface of battery to avoid electrode corrosion (see "Battery Maintenance").
3. Check the battery wiring is loose or not.
4. Check and clean the seal of the recovery tank cover. If damaged please replaced it
5. Spray the silicone dry lubricant on all pivots and wheels. Then covered with a layer of waterproof lubricant oil, in order to maintain the smooth operation of the axle.
6. Check if the nuts and bolts on the machine are loose
7. Check if the machine leaks out

### Quarterly Maintenance

## Shanghai Jianghuai Environmental Equipment Co.,LTD

Check the wear of drive motor (drive models), vacuum motor and brushes and motor brush every 250 hours. When the length of the carbon brush wear within 10 mm, the need for carbon brush. It needs to replace the carbon brush. If the machine need to repair, please please contact the authorized service center.

Warning: Electric Shock Risk. Please disconnect the battery wire before the maintenance machine.

### Handling Machine

When using the truck or trailer moving the machine, please be sure to follow these bundled programs:

1. Raise the head to transport position.
2. Use the recommended loading floor to load machine.
3. The front of the machine adjoins to the front part of the truck or trailer. After the machine is put in place, lowering the head of brush and turning the key to the closed position.
4. Place obstacles in the rear of each drive wheel to prevent the machine slides.
5. Use the rope to fix the top of machine in order to prevent slanting. You must furnish the brackets in the truck or trailer's car plates. For security reason:  
When moving the machine, use loading floor to load machine from the truck or trailer, and rope the machine to fix the car plate.

### The Storage Of Machine

1. Please charge the battery before storage. Do not store when the battery is flat.
2. Drain and rinse clean the flume box completely .
3. Please store the machine in a dry place, and the brush head should be kept in the rising position.
4. Open the sewage tank cover for ventilation. Note: Do not allow the machine to rain, please store in the interior.
5. If store the machine in the cold environment, please drain all the liquid inside the machine.

### Operational steps



# Shanghai Jianguhai Environmental Equipment Co.,LTD

1.Add detergent and defoamer



2.Inject clean water



3.Install suction harrow



6.Turn on the brush plate motor switch and the suction rake motor switch



5.Remove the bush plate rise and fall pedal and put down the brush disk cover



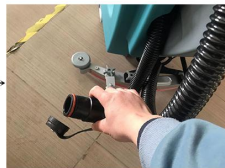
4.Turn on the key switch



7.Start working



8.Let the sewage out

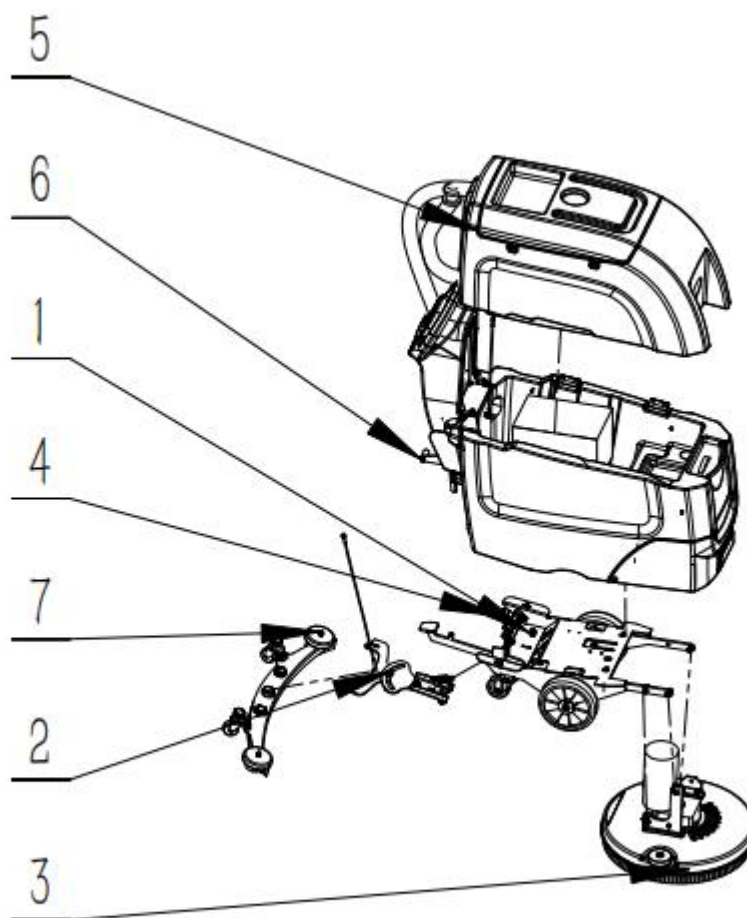


9.Finish the work  
rinse the sewage tank with clean water



## MACHINE COMPONENTS

Shanghai Jianghuai Environmental Equipment Co.,LTD

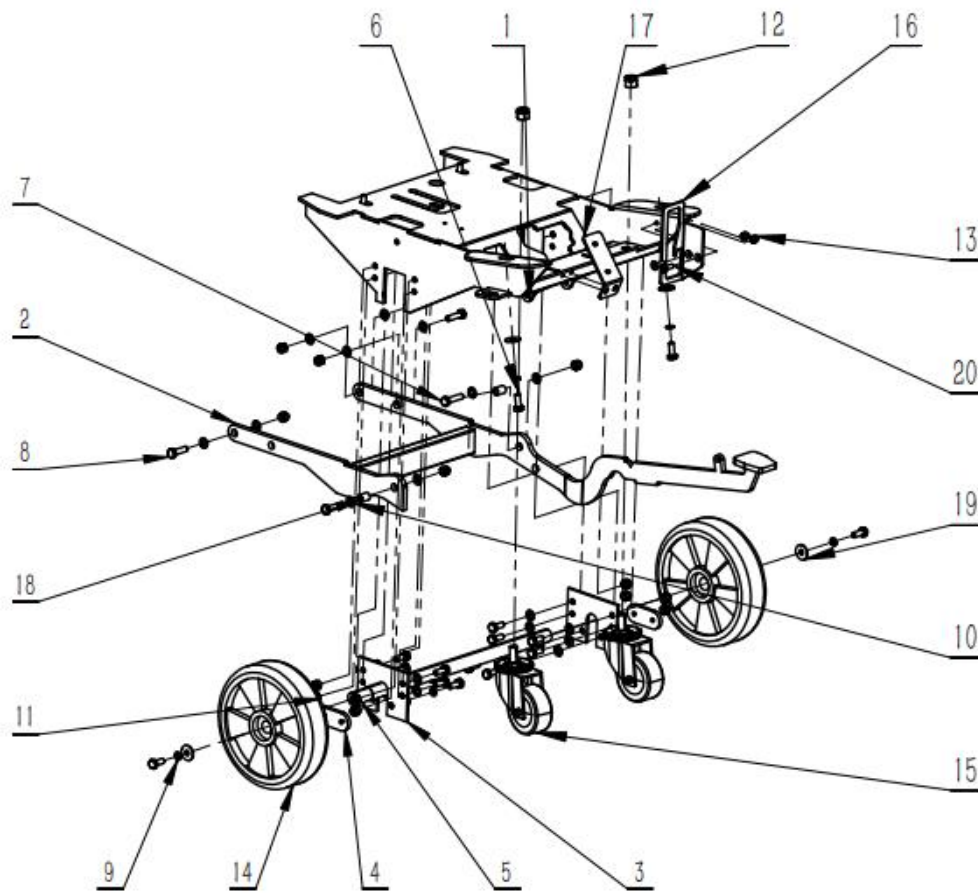


Serial number	Part number		Name	Qty
1	SJ53001	底座架组件530	Base frame assembly 530	1
2	SJ53002	扒头支架组件530	Grill head support assembly	1
3	SJ53003	刷盘组件530	Brush disc assembly	1
4	SJ53004	水路	waterway	1

Shanghai Jianguai Environmental Equipment Co.,LTD

5	SJ53005	污水箱	bilge tank	1
6	SJ53006	清水箱530	Clean water tank	1
7	SJ53007	扒头组件	Raking head assembly	1

1.Base frame assembly 530



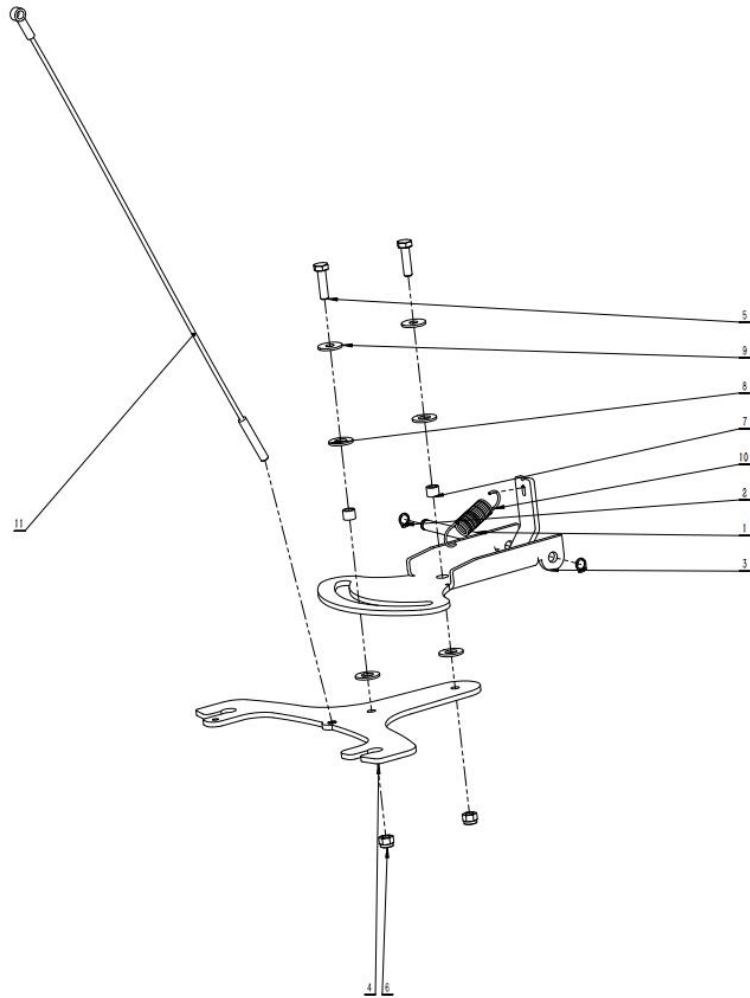
序号	零件代号	名称	Name	Qty
1	A010105	底座架	Aase frame	1
2	A010108	机头提升支架	Machine head lift bracket	1
3	A010123	轮轴限位板	Axle limit plate	2

## Shanghai Jianghuai Environmental Equipment Co.,LTD

4	A010122	轮轴固定板	Axle fixing plate	2
5	C010100	脚轮连接轴	Caster connecting shaft	1
6	G010130	外六角M8×20	Outer hexagon M8×20	18
7	G010150	外六角M8×35	Outer hexagon M8×35	2
8	G010140	外六角M8×30	Outer hexagon M8×30	3
9	G010103	弹垫M8	Spring pad M8	10
10	G010104	平 垫 圈 M8X16X1.5	Flat washer M8X16X1.5	22
11	G010108	自锁螺母M8	Self-locking nut M8	13
12	G010166	自锁螺母M12	Self-locking nut M12	2
13	G010110	自锁螺母M6	Self-locking nut M6	2
14	G010131	驱 动 脚 轮 Φ 200X50	Bearing caster Φ200X50	2
15	G010165	3寸万向轮	3 inch universal wheel	2
16	A010111	踏板支架	Pedal bracket	1
17	A010112	过滤器支架	Filter holder	1
18	C010108	铜 套 Φ 8x Φ 12x17	Copper sleeve Φ8xΦ12x17	2
19	G010138	平垫圈M8x24× 2	Flat washer M8x24×2	6
20	G010106	内六角沉头M6 ×20	Hexagon countersunk head M6×20	2

## 2.Grill head support assembly

Shanghai Jianguhai Environmental Equipment Co.,LTD

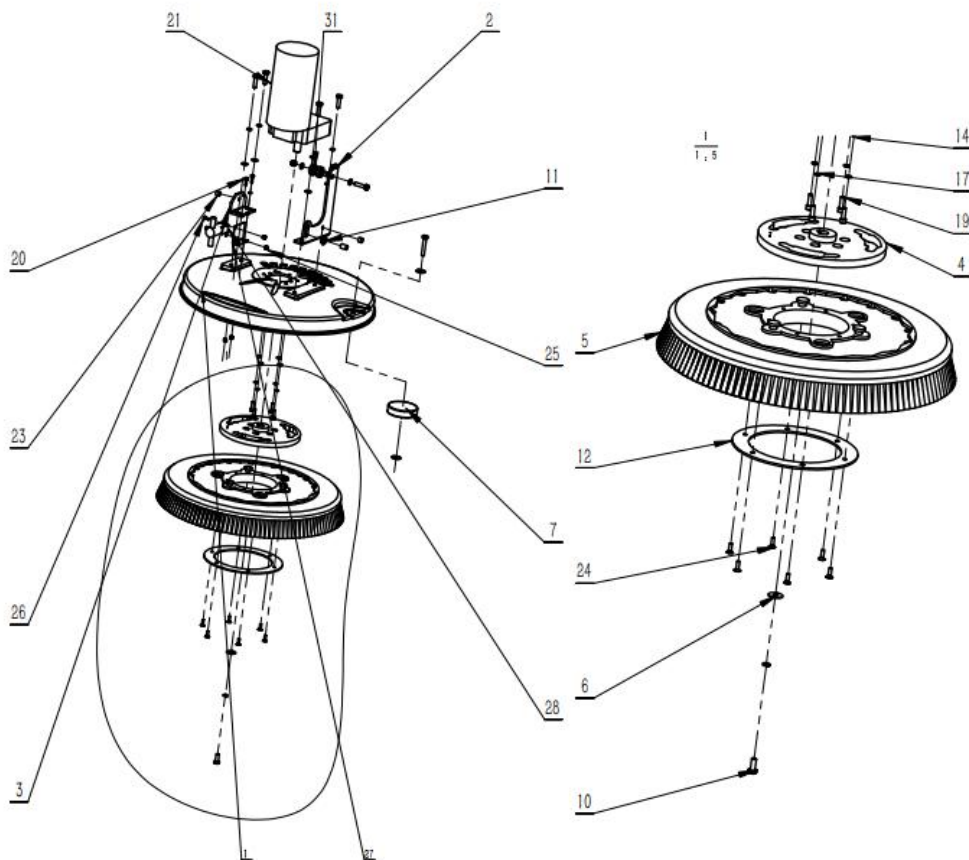


Serial number	Part number		Name	Qty
1	C010101	吸扒连接轴	Suction connecting shaft	1
2	G010139	外卡环 $\phi 9$	Outer snap ring $\phi 9$	2
3	A010101	扒头上支架	top bracket	1
4	A010102	扒头下支架	Bottom bracket	1
5	G010140	外六角M8 $\times$ 30	Outer hexagon M8 $\times$ 30	2
6	G010108	自锁螺母M8	Self-locking nut M8	2

## Shanghai Jianguai Environmental Equipment Co.,LTD

7	C010109	铜套 $\Phi 8 \times \Phi 12 \times 9$	Copper sleeve $\Phi 8 \times \Phi 12 \times 9$	2
8	G010141	尼龙垫片 12x24x2	Nylon Spacer 12x24x2	4
9	G010138	平垫圈 M8x24x2	Flat washer M8x24x2	2
10	C010114	拉簧 $\Phi 2.8 \times \Phi 20 \times 109$	Tension spring $\Phi 2.8 \times \Phi 20 \times 109$	1
11	C010112	扒头拉线	Pull the head	1

### 3.Brush disc assembly



序号	零件代号	名称	Name	
----	------	----	------	--

## Shanghai Jianghuai Environmental Equipment Co.,LTD

1	C010119	刷盘罩530	Brush cover 530	1
2	A010110	机头支架	head support	1
3	A010109	机头支架	head support	1
4	C010120	磁吸刷盘扣	Magnetic brush disc buckle	1
5	B010117	19寸刷盘	19 inch brush plate	1
6	G010138	平垫圈M8x24× 2	Flat washer M8x24×2	3
7	B010113	机头防撞轮Φ 100x20	Machine head anti-collision wheelΦ 100x20	1
8	G010111	外六角半牙M8 ×50	Hexagonal half tooth M8×50	1
9	G010140	外六角M8×30	Outer hexagon M8×30	4
10	G010130	外六角M8×20	Outer hexagon M8×20	1
11	G010141	尼龙垫片 12x24x2	Nylon Spacer 12x24x2	1
12	A010104	磁吸刷盘片	Magnetic brush disc	1
13	G010104	平垫圈 M8X16X1.5	Flat washer M8X16X1.5	6
14	G010137	平垫Φ6x12x1	Flat pad Φ6x12x1	4
15	G010120	平垫Φ5x10x1	Flat pad Φ5x10x1	2
16	G010103	弹垫M8	Spring pad M8	5
17	G010126	弹垫M6	Spring pad M6	4
18	G010121	弹垫M5	Spring pad M5	2
19	G010106	内六角圆柱头螺 钉M6×20	Hexagon socket head screw M6×20	4
20	G010134	内六角圆柱头螺 钉M5×16	Hexagon socket head screw M5×16	2
21	E010113	刷盘电机 24V	Brush motor 24V 550W Φ18	1

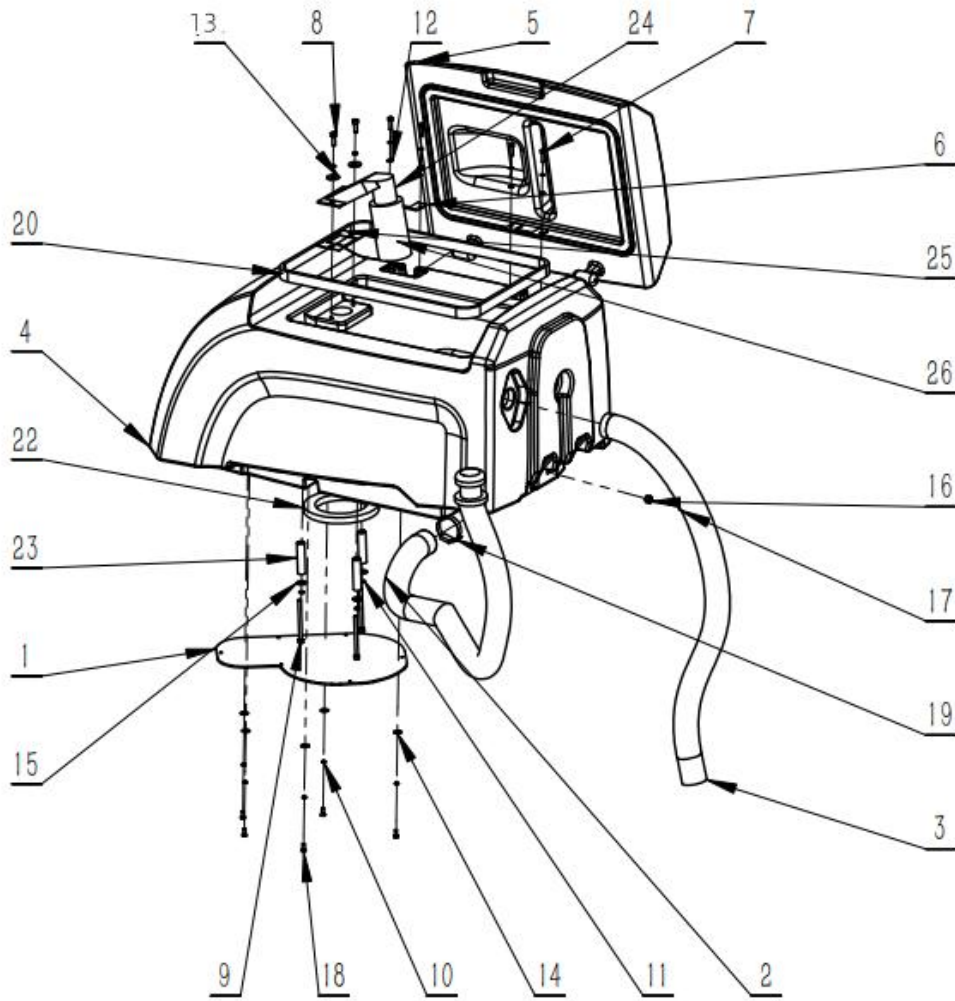
**Shanghai Jianghuai Environmental Equipment Co.,LTD**

		550W Φ18		
22	C010108	铜套 Φ8xΦ12x17	Copper sleeve Φ8xΦ12x17	1
23	C010109	铜套 Φ8xΦ12x9	Copper sleeve Φ8xΦ12x9	3
24	G010164	内六角沉头螺钉 M5×16	Hexagon socket head countersunk head screw M5× 16	6
25	G010135	自锁螺母M5	Self-locking nut M5	4
26	G010100	十字槽盘头螺钉 M5×12	Cross recessed pan head screw M5×12	2
27	A010106	电磁阀支架	Solenoid valve bracket	1
28	E010103	电磁阀 24V	Solenoid valve 24V	1
29	B010118	裙边530	skirt 530	1
30	G010108	自锁螺母M8	Self-locking nut M8	1
31	G010163	深沟球轴承6001	Deep groove ball bearing 6001	2
32	G010150	外六角M8×35	Outer hexagon M8×35	1

**5.Bilge tank**



Shanghai Jianguai Environmental Equipment Co.,LTD

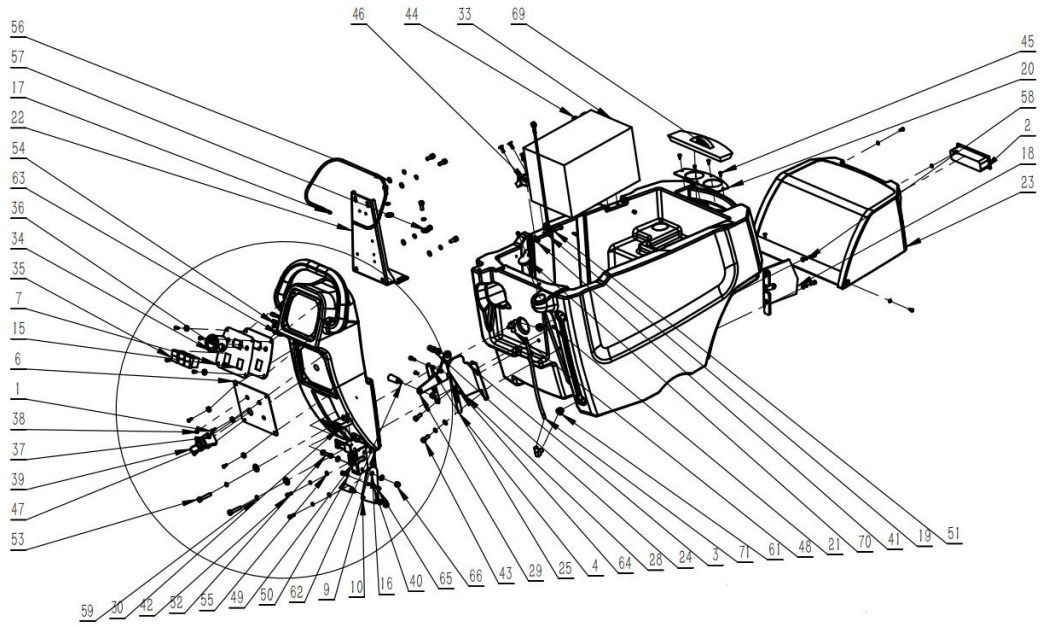


序号	零点代号	名称	Name	
1	A010114	吸水电机盖板	Suction motor cover	1
2	B010107	排污管 Φ 38*600 (01+09)	Sewage pipe Φ 38*600 (01+09)	1
3	B010106	吸污管 Φ 38x1100 (01+0 7)	Sewage suction pipe Φ 38x1100 (01+0 7)	1
4	B010101	污水箱530	Wastewater tank 530	1
5	B010102	污水箱盖530	Recovery tank cover 530	1
6	A010115	污水箱盖连接件	Recovery tank cover connector	2

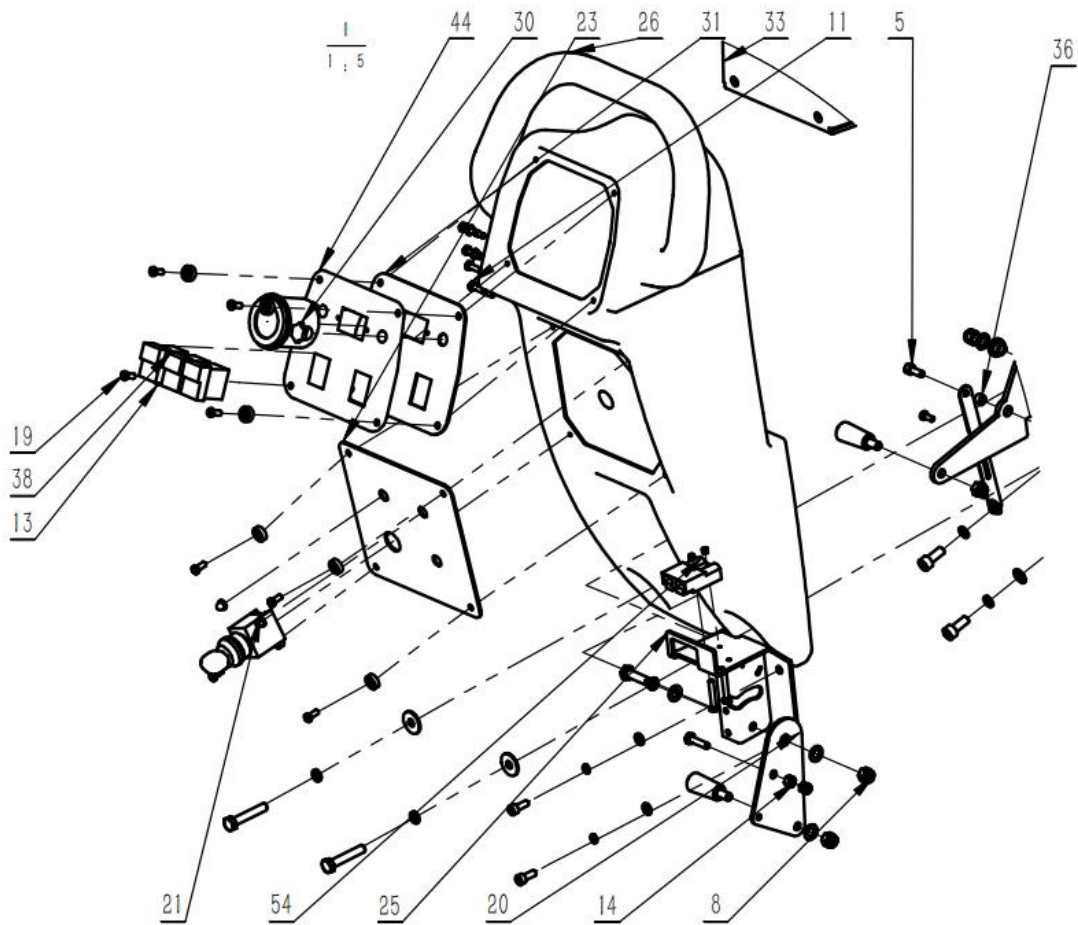
## Shanghai Jianguhai Environmental Equipment Co.,LTD

7	G010167	内六角圆柱头螺钉M5×20	Hexagon socket head screw M5×20	4
8	G010106	内六角圆柱头螺钉M6×20	Hexagon socket head screw M6×20	2
9	G010162	内六角圆柱头螺钉M6×85	Hexagon socket head screw M6×85	3
10	G010121	弹垫M5	Spring pad M5	9
11	G010126	弹垫M6	Spring pad M6	5
12	G010120	平垫φ5x10x1	Flat pad φ5x10x1	2
13	G010138	平垫圈M8x24×2	Flat washer M8x24×2	2
14	G010124	大垫圈5x15x1.5	Large washer 5x15x1.5	5
15	G010118	平垫圈M6x18×1.5	Flat washer M6x18×1.5	3
16	G010158	六角螺母M8	Hex Nut M8	1
17	G010132	外六角M8×25	Outer hexagon M8×25	1
18	G010100	十字槽盘头螺钉M5×12	Cross recessed pan head screw M5×12	5
19	G010127	卡箍33-57	Clamp 33-57	1
20	G010125	水箱盖密封条	Water tank cover seal	1
21	E010114	吸水电机 24V 500W（旁管）	Water suction motor 24V 500W (bypass)	1
22	G010119	电机密封圈Φ150xΦ105x13	Motor sealing ring Φ150xΦ105x13	1
23	G010161	PU棒	PU stick	3
24	B010111	吸污口主体	Main body of suction port	1
25	G010123	吸污口密封垫	Suction port gasket	1
26	G010122	吸污口滤网	Suction filter	1

## 6.Clean water tank



Shanghai Jianguai Environmental Equipment Co.,LTD



Serial number	Part number		Name	Qty
1	B010100	清水箱530	Clear water tank 530	1
2	B010104	电机罩530	Motor cover 530	1
3	G010105	合页65x65	Hinge 65x65	2
4	G010107	胶木手柄 M8X40	Bakelite handle M8X40	2
5	G010117	内六角圆柱头螺 钉M6×16	Hexagon socket head screw M6 ×16	5
6	G010153	内六角圆柱头螺 钉M8x20	Hexagon socket head screw	8

**Shanghai Jianghuai Environmental Equipment Co.,LTD**

			M8x20	
7	G010126	弹垫M6	Spring pad M6	4
8	G010103	弹垫M8	Spring pad M8	15
9	G010137	平垫 $\phi$ 6x12x1	Flat pad $\phi$ 6x12x1	4
10	G010104	平 垫 圈 M8X16X1.5	Flat washer M8X16X1.5	10
11	G010120	平垫 $\phi$ 5x10x1	Flat pad $\phi$ 5x10x1	6
12	G010108	自锁螺母M8	Self-locking nut M8	4
13	G010152	自锁螺母M3	Self-locking nut M3	6
14	G010110	自锁螺母M6	Self-locking nut M6	2
15	G010135	自锁螺母M5	Self-locking nut M5	1
16	G010138	平垫圈M8x24× 2	Flat washer M8x24×2	8
17	G010140	外六角M8×30	Outer hexagon M8×30	1
18	G010154	外六角M6×25	Outer hexagon M6×25	1
19	G010151	外六角M3×20	Outer hexagon M3×20	6
20	G010155	外六角M8×45	Outer hexagon M8×45	2
21	G010132	外六角M8×25	Outer hexagon	5

## Shanghai Jianghuai Environmental Equipment Co.,LTD

			M8×25	
22	G010106	内六角沉头M6 ×20	Hexagon countersunk head M6×20	8
23	G010101	塑料平垫M5	Plastic flat pad M5	8
24	G010109	六角螺母M6	Hex Nut M6	1
25	G010158	六角螺母M8	Hex Nut M8	1
26	G010116	十字槽盘头自攻 螺钉ST4.2×13	Cross recessed pan head tapping screw ST4.2× 13	6
27	G010156	过滤网	Filter	1
28	G010157	链条	chain	1
29	G010160	扎带固定座	cable tie holder	3
30	G010100	十字槽盘头螺钉 M5×12	Cross recessed pan head screw M5×12	17
31	A010103	扒头提升摇臂	Lifting rocker arm	1
32	E010106	过载保护器 25A	Overload protector 25A	1
33	E010105	过载保护器45A	Overload protector 45A	1
34	A010124	开关面板	switch panel	1
35	E010112	钥匙开关	key switch	1
36	A010116	摇臂支架	rocker bracket	1
37	B010103	手柄530	handle 530	1

## Shanghai Jianguhai Environmental Equipment Co.,LTD

38	A010117	压力支架	pressure bracket	1
39	A010119	压力支架摇臂	Pressure bracket rocker arm	1
40	A010130	操纵杆	joystick	1
41	E010118	调速旋钮	Speed knob	1
42	A010129	控制面板	control panel	1
43	A010121	排污管挂钩	Sewage pipe hook	1
44	A010113	清水箱支架	Fresh water tank bracket	1
45	A010107	机头清水箱支架	Machine head clean water tank bracket	1
46	A010120	注水口钣金	Sheet metal of water injection port	1
47	C010110	铜套 $\Phi$ 8X $\Phi$ 12X4	Copper sleeve $\Phi$ 8X $\Phi$ 12X4	1
48	C010111	铜套 $\Phi$ 6x $\Phi$ 10x6	Copper sleeve $\Phi$ 6x $\Phi$ 10x6	1
49	E010111	电量显示表	battery indicator	1
50	E010110	翘板开关	rocker switch	3
51	E010117	前进后退开关	forward and backward switch	1
52	F010102	控制面板标签 530	Control Panel Tab 530	1
53	A010128	微动开关支架	Micro switch bracket	1

## Shanghai Jianghuai Environmental Equipment Co.,LTD

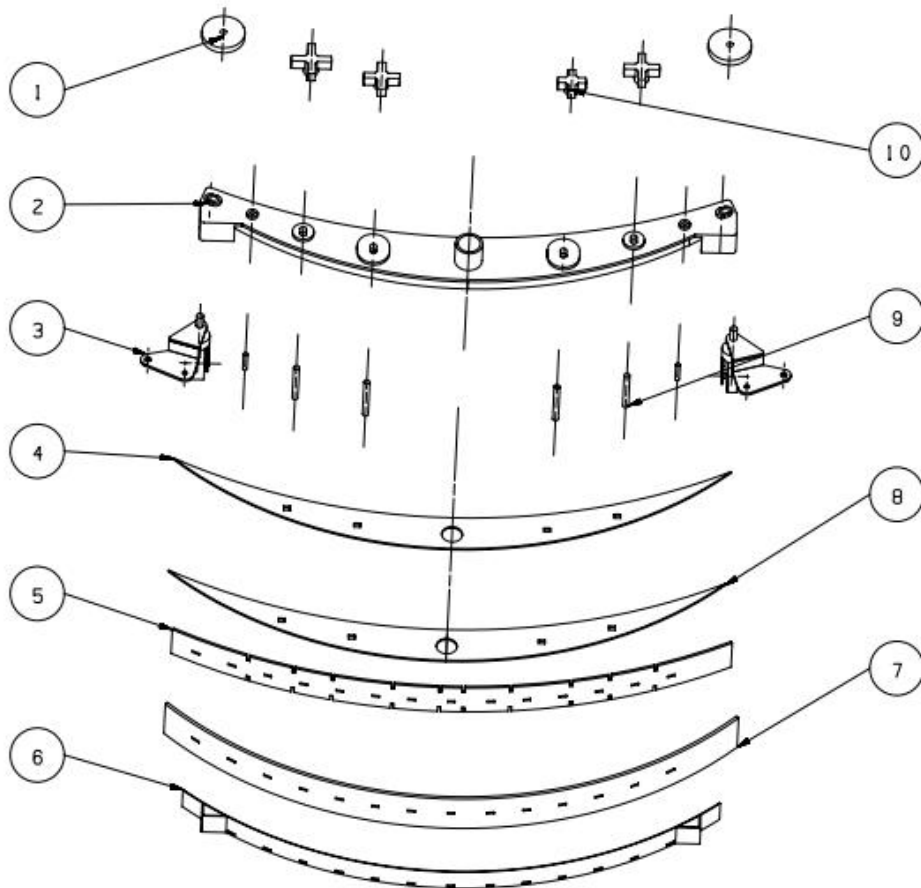
54	E010119	微动开关	Micro Switch	1
55	C010118	拉簧35x16x1.2	Tension spring 35x16x1.2	1
56	F010103	开关面板标签 530	Switch Panel Label 530	1
57	A010118	压力支架连杆	pressure bracket link	2
58	C010115	拉簧 $\Phi$ 3x $\Phi$ 25x170	Tension spring $\Phi$ 3x $\Phi$ 25x170	1
59	F010104	加压标签	Pressurized labels	1
60	C010103	铜套 $\Phi$ 8x $\Phi$ 12x8/ $\Phi$ 16x2	Copper sleeve $\Phi$ 8x $\Phi$ 12x8/ $\Phi$ 16x2	1
61	C010113	压簧 $\Phi$ 3X $\Phi$ 17X22	Compression spring $\Phi$ 3X $\Phi$ 17X22	1
62	C010114	拉簧 $\Phi$ 2.8X $\Phi$ 20X109	Tension spring $\Phi$ 2.8X $\Phi$ 20X109	1
63	B010115	加水口盖530	Water filler cap 530	1
64	B010116	小加水口盖	Small water filler cap	1
65	C010105	水箱拉线350	Water tank cable 350	1
66	E010122	安德森插头50A	Anderson plug 50A	1



Shanghai Jianguai Environmental Equipment Co.,LTD

67	E010121	电池24V100Ah	Battery 24V100Ah	1
68	E010120	大灯530	Headlight 530	1
69	G010115	橡胶密封塞	Rubber sealing plug	2
70	G010114	塑料弯头	plastic elbow	2
71	G010159	液位显示管 $\phi$ 10x $\phi$ 13	Liquid level display tube $\phi$ 10x $\phi$ 13	1

7.Suction raking system

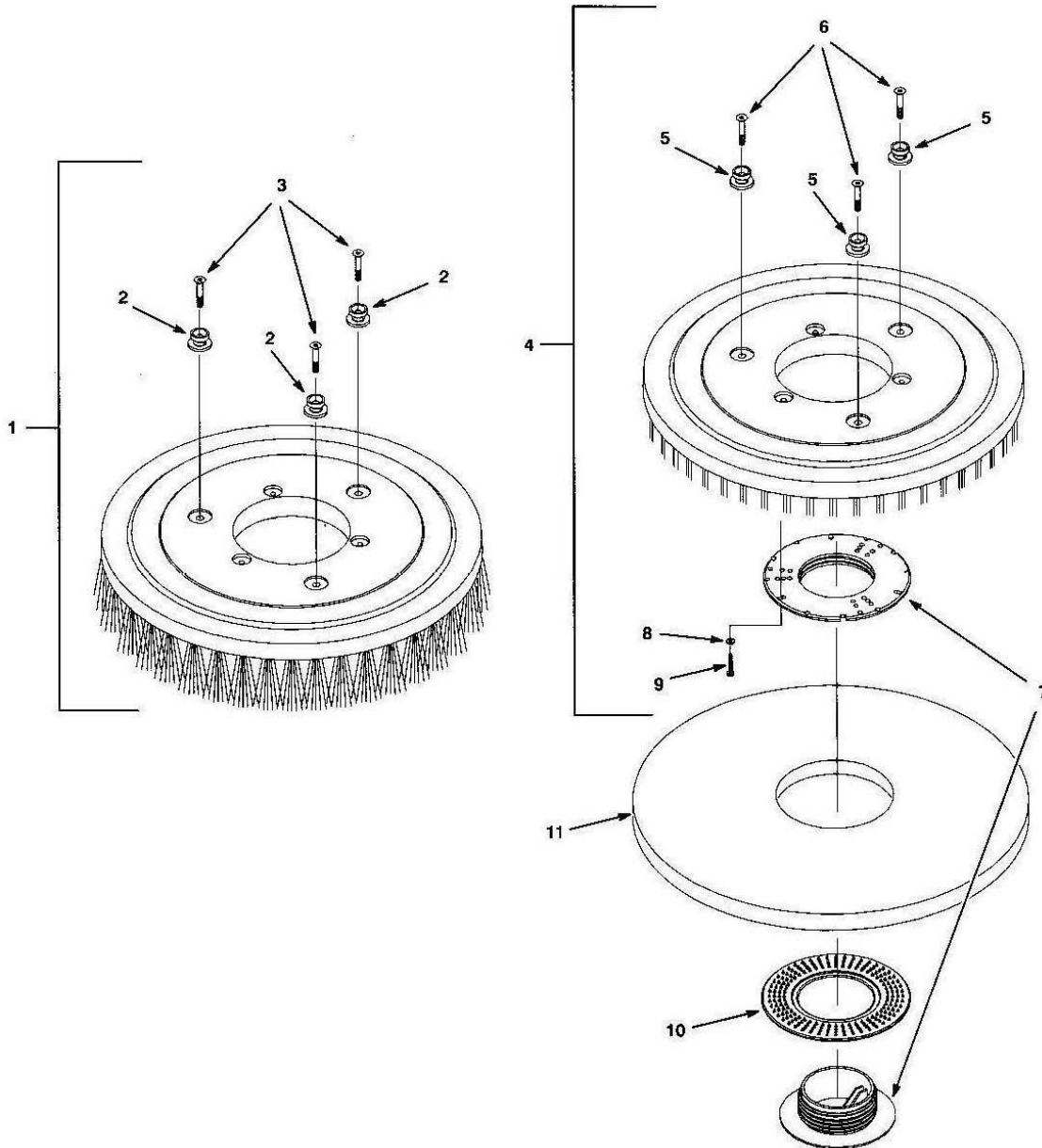


Serial numbe	No.	中文品名	Name	Quantity
--------------	-----	------	------	----------

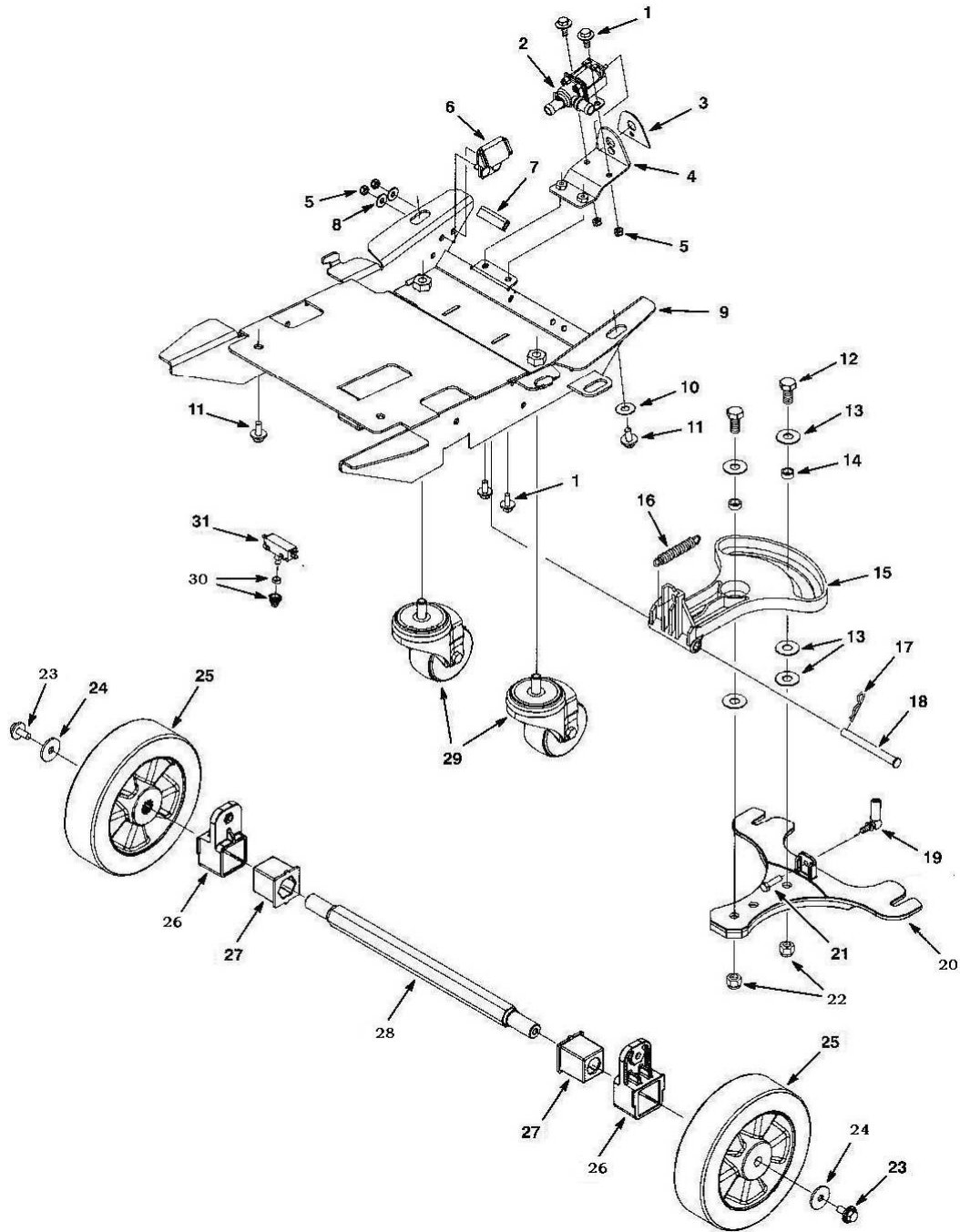
**Shanghai Jianghuai Environmental Equipment Co.,LTD**

r				
1	SJ530007 001	防撞轮	Anti-collision wheel	2
2	SJ530070 02	吸耙主机架	Suction rake main frame	1
3	SJ530070 03	吸耙支架	Suction harrow support	2
4	SJ530070 04	压条	Iron accessories	1
5	SJ530070 05	前吸水橡胶条	Front absorbent rubber	1
6	SJ530070 06	后压条	Water absorbent rubber layering	1
7	SJ530070 07	后吸水橡胶条	Rear water absorption rubber	1
8	SJ530070 08	压条	Absorb water Rubber sheet Iron sheets	1
9	SJ530070 09	螺栓	Screw	4
10	SJ530070 10	十字螺母	Cross nut	4

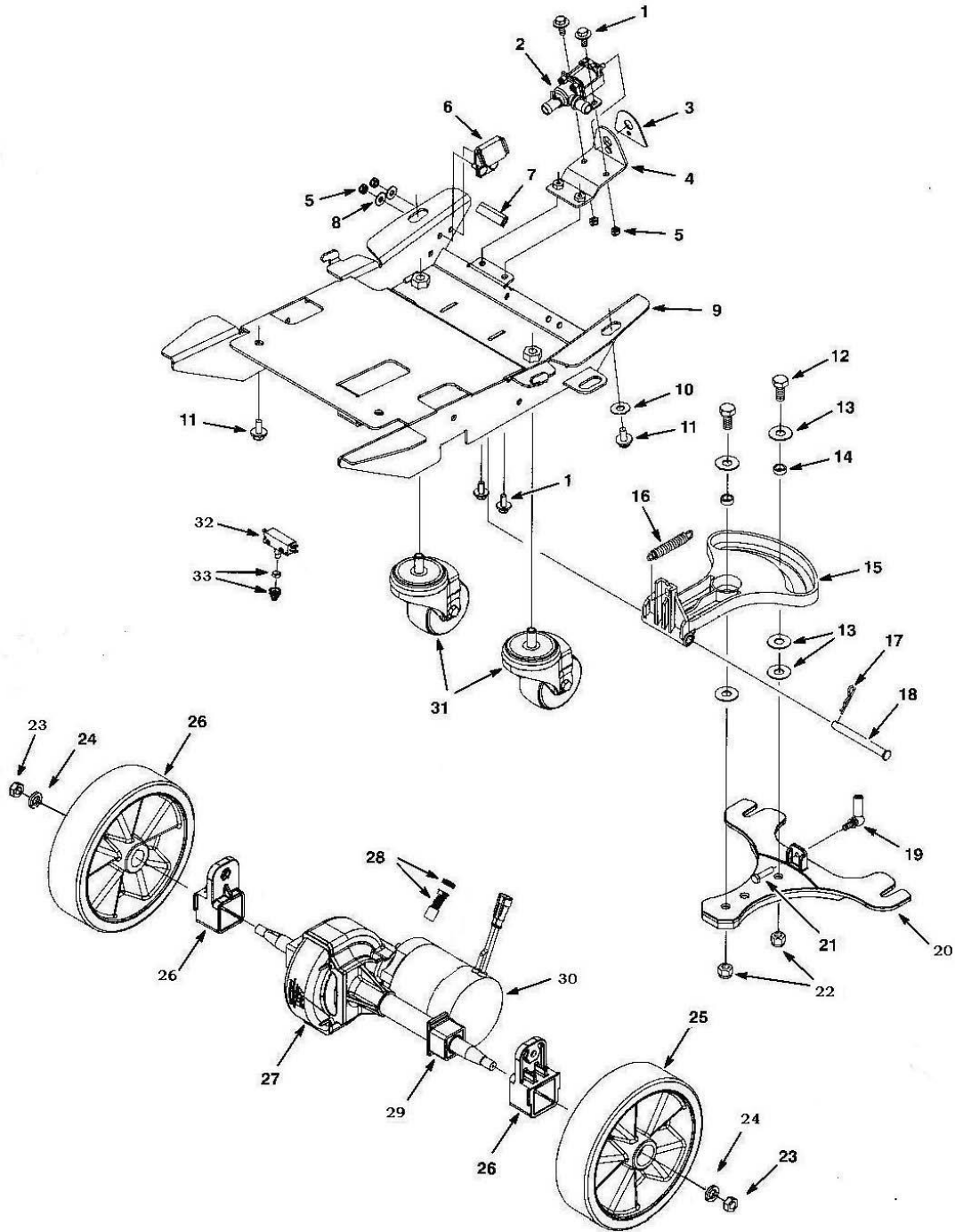
BURSH

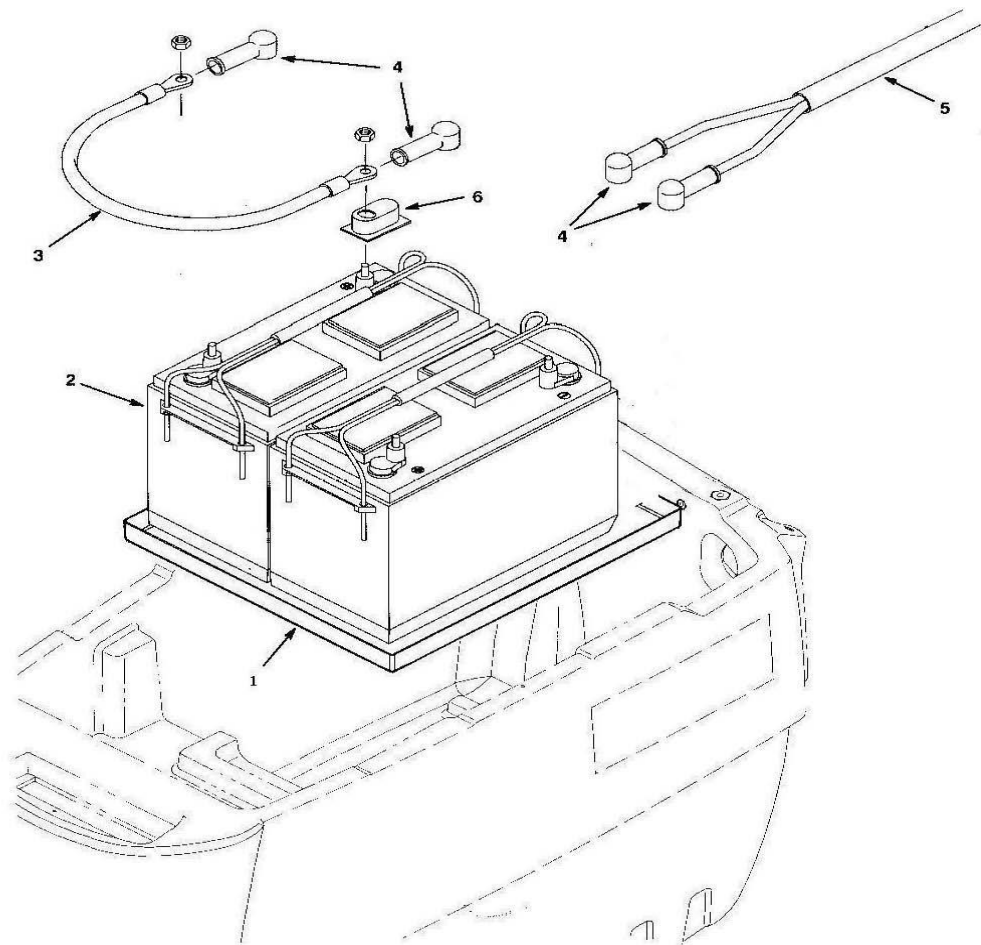


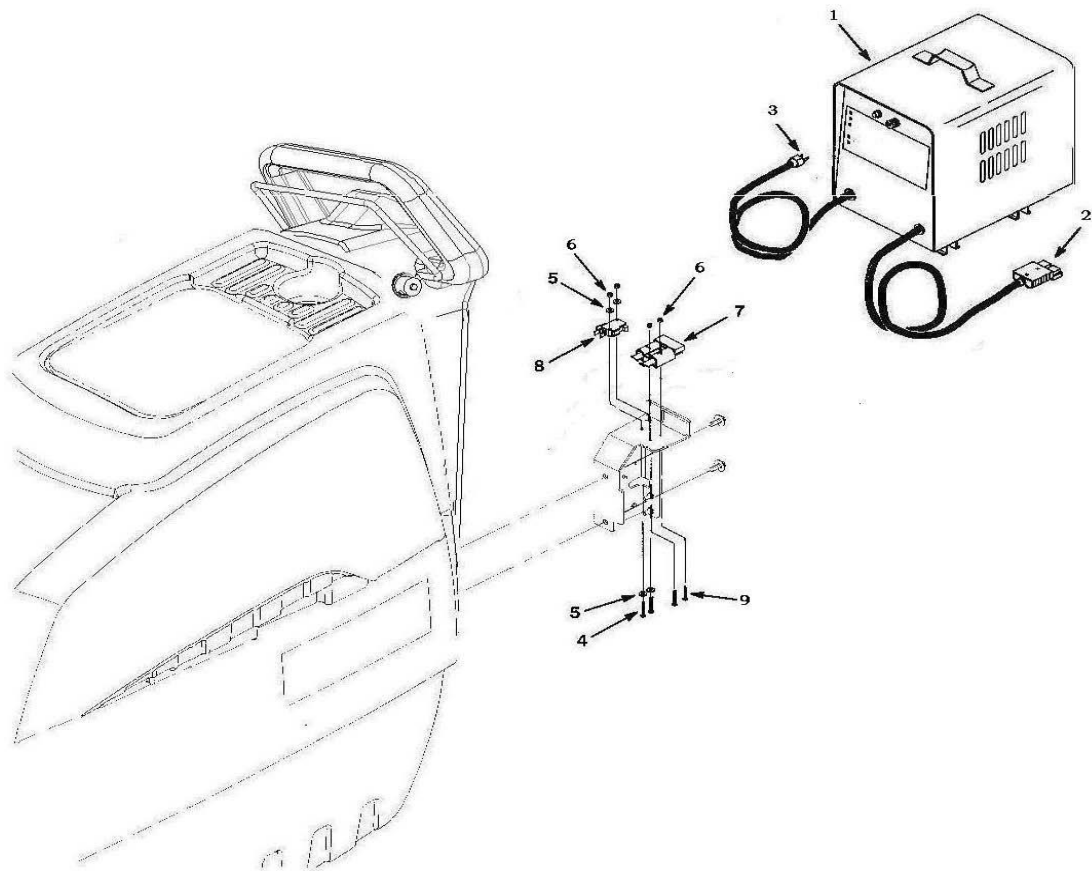
JH530A

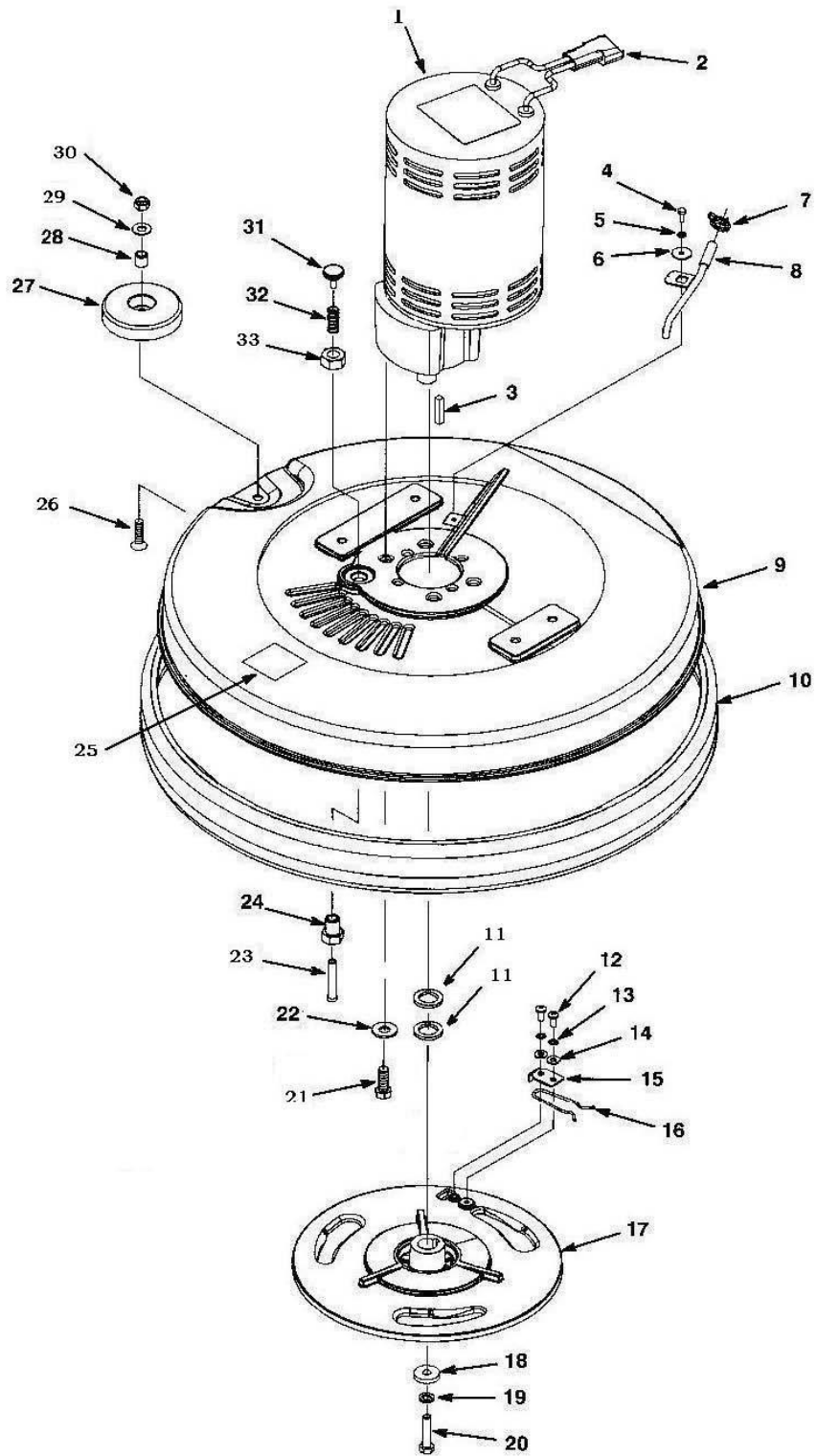


JH530B









Trouble excluding



## Shanghai Jianghuai Environmental Equipment Co.,LTD

Problem	Reason	Solution
The machine can not operate	Battery no power	Charging the batteries
	Battery Fault	Replacing the battery
	Loose battery cable	Tighten the battery cable
	Main fuse blown	Replace the fuse
Brush motor does not work	Brush lifted off the ground	Lower brush
	Battery charge gauge locked does not start	Charging the batteries
	Brush motor Circuit breaker tripped	Reset the button of brush circuit breaker
	Brushes (up / down) switch failure	Please contact the service center
	Motor carbon brush fray	Please contact the service center
Vacuum motor does not work	The squeegee is raised off the ground	Lower squeegee
	Vacuum motor fuse has blown	Replace the fuse
	Vacuum motor or wiring fault	Please contact the service center
	Motor carbon brush fray	Please contact the service center
Small or anhydrous outflow	Solution tank filter or solution tube blockage	Cleaning solution tank filter
	The flow rate of the flow control knob is set too low	Adjust the water flow control knob
	Release control knob screw	After lubricating the knob locking screw
Low recovery efficiency of sewage	Sewage tank is full	Drain the recovery tank
	Squeegee blade fray	Replace the squeegee blade
	Suction tube blockage	Clear clogged debris
	Sewage tank seal damage	Replace sealing strip
	Vacuum motor failure	Please contact the service center
Running time shortened	Battery defective	Replace battery
	Battery charge fault	Repair or replace battery charger

## Hand Push Floor Scrubber

Technical Specification	UNIT	SJ700D
Voltage	V/AH	24/120
Brush motor	W	300*2
Sucker motor	W	500
Driven motor	W	300
Cleaning width	mm	660
Suction width	mm	780
Cleaning efficiency	m <sup>2</sup> /h	3100
Brushing rotation speed	Rpm	185
Sucking power	Mbar	180
Clean water tank capacity	L	50
Sewage tank capacity	L	56
Machine weight (with battery)	Kg	240
Length ×width ×height	Cm	136*58*126

MACHINE DIMENSIONS

