

Shanghai Jianghuai Environmental Equipment Co.,LTD

Hand Push Floor Scrubber

OWNER'S GUIDE



Shanghai Jianghuai Environmental Equipment Co.,LTD

Address: No.2556,Gaoshi Road ,JiaDing District .shanghai City

Tel.:+86 021 59970661 Fax: +86 021 59970661

Shanghai Jianghuai Environmental Equipment Co.,LTD

Before the first use of equipment ,please read equipment operating .

When ordering replacement parts,pls kindly check the Parts manual that came with the machine. Before matching the accessories, please make sure your machine model and serial number.You can connect us by by telephone or mail.If you can and then do the following, you will be able to get the best results at the lowest cost:

- operating the machine carefully
- Pls maintenance the machine regularly according to the Maintenance Instructions of operating guide
- Pls maintance with the same level of accessories or using the original accessories.

Shanghai jianghuai environmental equipment CO.,LTD

Add:NO.2556, Gaoshi Road ,Jiading District , Shanghai City

TEL.:+86-021-59970661 FAX:+86-021-59970661

Machine Information

Please fill in at installation for future reference.

Model number-

Machine No.-

Machine Options-

Sales Manager-

Tel -

Client No.-

Installation Date-

Catalogue

Precautions	4
Machine operating instructions	6
Machine Installation	7
Open packaging machines	7
Install battery	8
Working methods of Machine	8
Information of Brush and scouring pad	9
Machine installation	9
Brush / scouring pad Installation	10
Machine operation	10
Preflight Checks	10
Operating the machine	11
During operation of the machine	11
Battery charge gauge	11
Drain Tank	11
Battery charge	12
Machine maintenance	13
Daily maintenance	13
Monthly maintenance	14
Quarterly Maintenance	15
Handling Machine	15
Storage Machine	15
Operational steps.....	16
Machine Components.....	17
Sewage tank system.....	18
Trouble excluding	25
Machine Dimensions.....	26

Precautions

This machine is suitable for industrial and commercial purposes, specifically for cleaning interior hard floors.

Please use the recommended scouring pads , brushes, and commercially floor cleaners which is applicable to this machine .

All operators must read, understand and observe the following safety precautions.

The following are explained for the safety alert symbol and "For security purposes" title:



Warning: for warning serious injury or death risks or unsafe operation.

FOR SAFETY: To identify actions that must be followed when using the machine in order to guarantee safety.

Failure to comply with these warnings may result in: personal injury, electrocution, fire, or explosion.



WARNING: Fire or explosion hazard

— Do not use flammable liquids; Do not operate the machine near or flammable liquids, gases or combustible dust workplace .

This machine is not equipped with an explosion proof motor. If you use the machine in a place with flammable gas, liquid or flammable dust may be in start-up and during the operating of the electric motor will produce a spark, may cause a flash fire or explosion.

- Do not pick up flammable materials or reactive metals.
 - Battery release hydrogen. Keep away from sparks or open fire.
- Battery compartment shall be kept open while charging .



Warning: Risk of electric shock. Before maintancing the machine, pls disconnect the battery cable.

Shanghai Jianghuai Environmental Equipment Co.,LTD



Warning: When the rotating brush running, do not touch it. Turn off the power before servicing the machine.

The following situation would be dangerous to the operator or equipment :
For security purposes

1. Do not operate the machine:

- Contact with flammable liquids or near flammable gases,
It could cause an explosion or flash fire situation.
- Unless you have been trained and authorized to operate the machine.
- Unless you have read and understood the Operator's Manual
- If not in the case of correct operation.

2. Before starting the machine:

- Make sure that all safety devices are on positioning and operating properly.

3. When using the machine:

- Go slow on inclines and slippery surfaces.
- Wearing non-slip shoes.
- Please slow down when turning.
- When the Machinery Breakdown or faulty operation pls immediately report.
- Do not let children play on or near the machine.
- Follow mixing and handling instructions on chemical containers.

4. Before leaving and maintancing the machine :

- Park the machine on a stable surface.
- Turn off the machine.

5. When maintancing the machine:

- Avoid to move the accessories. Do not wear loose T-shirt, shirt or cuff.
- Before operating the machine, disconnect the battery cable.
- Wearing protective gloves and eye protection when handling batteries or battery cable.
- Avoid contact with battery acid fluid.

Shanghai Jianghuai Environmental Equipment Co.,LTD

- Do not high pressure spraying or hosed this machine.
- Use manufacturer supplied or approved replacement parts.
- All repairs must be performed by qualified Maintenance staff.
- Do not modify the original design of the machine.

6. When moving the machine:

- Pls turn off the machine.
- Do not carry the machine when equipped with batteries.
- Pls handle the machine with others assistance.
- When unloading machine from a truck or trailer, use the recommended loading floor.— Use the rope to fix the machine on a truck or trailer.
- Put the brush head down to the lowered position.

Machine schematic



Shanghai Jianghuai Environmental Equipment Co.,LTD



Machine Installation

Open packaging machines

1. Pls check carefully to confirm that if there is a case of damage on the machine box.

If it is damaged pls response to us immediately.

2. Check the cargo contents list ,if any missing items, please contact us.

Freight contents:

- 12V Two batteries-Standard
- 24V Charger—Standard
- A set of Battery cable - Standard
- One Squeegee blade - Standard
- One brush —Standard
- One needle plate—Standard
- Other accessories - Optional

3 Before disassemble the packing of machine , pls remove the machine fixed shipping fixture and rope on the warehouses. With assistance,unloading the machine carefully from the warehouse.

Note: If you do not use the loading floor, do not directly promote the machine to avoid Machinery Breakdown.

Note: To avoid machine damage, please unload the machine from the warehouse and then install the battery.

Install battery



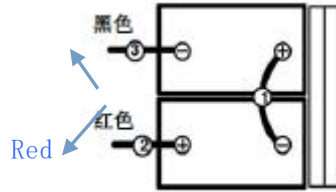
WARNING: Fire or explosion hazard. Battery release hydrogen. Keep away from sparks or open fire. The battery cover shall be kept open while charging .

- 1 Park the machine on level ground, and take out the key.
- 2 Lift the water tank so that the battery compartment is exposed can be touched.

Carefully install batteries in the battery compartment gates, and in accordance with the shown below

Shanghai Jianguai Environmental Equipment Co.,LTD

Black



Connect the battery positive cable machine

Note: Do not throwing the battery to the battery compartment, to prevent damage to the battery and the machine.

4 Before connect the battery, make sure whether the electrodes and electrical terminals are clean. As required using an electrode cleaning fluid and a wire brush.

Description: Apply in a thin layer of metal-free lubricant or spray protection on the wiring connections to avoid battery corrosion.

5. After installing the battery, pls check the power scale of battery gauge. Depending on the battery needs to charge.

Working methods of Machine

Manual control valve to adjust the amount of water on the ground through adjusting the cleaning solution (water and detergent). Brush use the mixed detergent and water solution to clean the floor . While the machine forward ,the squeegee suck the sewage into sewage tank .

Information of Brush and scouring pad

To ensure the best performance,Please use the correct brush type for cleaning.We recommend the use of brushes and scouring pads as follows:

Soft nylon brush (white)—

Recommendations for cleaning coating ground floor without injury. Clean without leaving scratches.

Polishing Pad (White)—

For maintaining a high degree of light slip or polishing the floor.

crash pad (Red) —

Shanghai Jianghuai Environmental Equipment Co.,LTD

It used to wipe dirt slight ground without injury

Gravity folded pads (Black) —

Removing the thick coating or substrate forcefully or scrubbing strongly

Machine installation

1. Park the machine on level ground and remove the key.
2. The squeegee lift lever down to a lower position.
3. The vacuum suction pipe connected to the squeegee assembly.

Check the squeegee blades and make appropriate adjustments.

Brush / scouring pad Installation

Description: It is recommended to use brushes and scouring pads, refer to the manual "Brush and scouring pad Information" one.

1. Park the machine on level ground and remove the key.
2. Slam brush lift pedal, so that the brush head is raised off the ground.
3. First scouring pad is set with the needle seat, and then install the driver disk. Tighten the central lock will be fixed scouring pad.
4. Insert the needle/brush installed column bolt on motor drive tray card clasp, press the brush plate of the motor switch.
5. To dismount the hub and brush, brush lift pedal slam, so the head is raised off the ground, press the brush motor switch plate.

Machine operation

FOR SAFETY: Before operating manual has not been read and understood. Do not operate the machine.

WARNING: Fire or explosion hazard. Do not located near or flammable liquids, gases or combustible dust place to operate the machine

Preflight Checks

Shanghai Jianghuai Environmental Equipment Co.,LTD

- Clean the dust on the ground.
- Check battery power scale gauge. (Refer to the battery charge gauge)
- Check the wear condition of scouring pad / brush.
- Check the wear condition of squeegee blade, and adjust the angle.
- Determine the recovery tank is empty, and clean floating filter has been installed.
- Check the wear condition of brush.

Operating machine

1. Key to turn on the main power supply to (I) position.
2. The squeegee lift lever to pull down, so that the squeegee assembly lowered to the ground.
3. On the brush head lifting pedal, make the brush head fell to the ground.
4. Open the water control knob.
5. Press the brush plate motor switch, then press the suction motor switch.
6. Motor drive models: The speed control knob to your desired cleaning speed

Note: We recommend the use of 45-60 meters per minute cleaning speed.

During operation of the machine

WARNING: Fire or explosion hazard. Do not pick up flammable materials or reactive metals.

1. Each channel overlap 5 cm cleaning path.
2. The machine continues to avoid damage to the ground.
3. Such as squeegee absorbing water, the ground drag marks, wipe with a cloth tape to remove garbage. Prior produce clean to prevent drag marks.
4. Do to the slope exceeds 5% (3 °) slope to operate the machine.

FOR SAFETY: When using machine, on slopes and slippery surface of the ground, move slowly.

5. If too much foam, will recommend the use of anti-foaming agent solution was poured into water tank.

Note: Do not allow foam to enter the filter, in order to avoid damage to the vacuum motor. Foam will filter switch does not fail.

Shanghai Jianghuai Environmental Equipment Co.,LTD

6. Use double cleaning method to clean heavily soiled areas. First squeegee lifted for cleaning, let the impregnation solution 3-5 minutes, will lower the squeegee and clean again.7. Depending on the need to replace or rotate scouring pad.

8. Observe the battery power consumption table (refer "Battery power table").

9.check the remaining amount of liquid through water tank level gauge.Traditional laundry way: water consumption is 10L per 10 minutes.

10. When the water in box runs out, empty the water tank firstly and then re-inject the solution.

11.When staff leave the machine, place the machine parked on level ground and remove the key.

12. After cleaning, carry out daily maintenance procedures (see "Machine Maintenance").

Battery charge gauge

Battery charge gauge displays the battery's power. When the batteries are fully charged, all the lights are on. With power consumption, the light will go out from right to left. To prolong battery life, do not let the light goes out less than the following electricity consumption.

Note: To extend battery life, be sure to use the machine total number of more than 30 minutes before the battery be charged.

Tank Drain

After using, the recovery of tank should be drained and cleaned. The tank should be cleaned regularly to remove any corroded areas. Handling the machine to the drainage location, turn off the power key, Drainage discharge follow instructions:

FOR SAFETY: Before leaving or servicing machine, stop on level surface and turn off machine and remove key.

1. According to the counterclockwise direction to unscrew the recovery tank drain cover, remove it.
2. Open the cover of tank and flush it.
3. Remove and rinse bits floating in the sewage tank filter.

Battery charge

Shanghai Jianghuai Environmental Equipment Co.,LTD

Note: To prolong battery life and ensure the best performance of the machine, the machine must be used more than 30 minutes to carry out the battery charge. Do not let the battery on a state of no power for long time. The following charging instructions are applicable to this machine comes with a charger. Be sure to use the following specifications of the charger, so as not to damage the battery.

Battery charger:

- Charger type: - Lead-acid battery charger
- Output voltage: - 24 V
- Output electric current: - 15Am
- Automatic power-off circuit
- Suitable for deep cycle type battery charge

1. Moving the machine to a well-ventilated place for charging.

WARNING: Fire or explosion hazard. Battery release hydrogen. Keep away from sparks or open fire. Shall be kept open while charging the battery compartment.

2. Park the machine on level ground, and turn key to the off position.
3. Before charging, check the electrolyte level in the battery unit

FOR SAFETY: When servicing machine, wear protective gloves and eye protection when handling batteries and battery connections. Avoid contact with battery acid fluid.

4. When charging, opening the side of water tank for ventilation.
5. The charger AC (alternating current) power cord into a properly grounded electrical outlet.
6. The charger's DC (direct current) cable into the rear of the recovery tank battery charging socket.
7. The charger will charging automatically and shut down automatically when they are filled.

Explanation: The machine will not operate when connected to the charger. Note: During charger, do not pull the charger DC line

Pull the socket out of the machine. In order to avoid arcing. Such as charging way

Shanghai Jianghuai Environmental Equipment Co.,LTD

must suspend charging Unplug the AC power cord.

WARNING: Fire or explosion hazard. Battery release hydrogen. Keep away from sparks or open fire. Shall be kept open while charging the battery compartment.

8. After charging, check the electrolyte surface height again.

Machine Maintenance

If you follow the maintenance procedures every day, every week and every month. the machine can be kept in the best working performance. Warning: Risk of electric shock. Before performing any maintenance disconnect the battery cable.

Daily maintenance (after each using)

1. Drain and clean the recovery tank
2. Detaching and rinse water tank located floating filter
3. Drain water tank, and depending on the need, Rinse the tank by less 60 °C hot water.
4. Unloading take scouring pad / brush to clean. If worn, flip or replace scouring pad
5. Wipe the squeegee blade. The squeegee assembly placed in the raised position to prevent tape damage.
6. Check the wear condition of the squeegee blade edge of the strip. Subject to wear and tear, the strip two swap.
7. Multipurpose cleaner and a damp cloth to wipe the machine. FOR SAFETY: When cleaning up the machine, do not spray or high pressure water pipe flushing machines. In order to avoid failure of electronic components.
8. Check the wear condition of the head skirt, replace if loss or damage verdict.
9. Battery charge. In order to prolong battery life and ensure the best performance of the machine, you must use the time over in the machine over 30 minutes or more to carry out the battery charge.

Monthly maintenance (after using 80 hours)

1. Removing the water tank and filter from the machine, then clean the filter. Make sure empty the water tank before removing the filter.

Shanghai Jianghuai Environmental Equipment Co.,LTD

2. Clean the top surface of battery to avoid electrode corrosion (see "Battery Maintenance").
3. Check the battery wiring is loose or not.
4. Check and clean the seal of the recovery tank cover. If damaged please replaced it
5. Spray the silicone dry lubricant on all pivots and wheels. Then covered with a layer of waterproof lubricant oil, in order to maintain the smooth operation of the axle.
6. Check if the nuts and bolts on the machine are loose
7. Check if the machine leaks out

Quarterly Maintenance

Check the wear of drive motor (drive models), vacuum motor and brushes and motor brush every 250 hours. When the length of the carbon brush wear within 10 mm, the need for carbon brush. It needs to replace the carbon brush. If the machine need to repair, please please contact the authorized service center.

Warning: Electric Shock Risk. Please disconnect the battery wire before the maintenance machine.

Handling Machine

When using the truck or trailer moving the machine, please be sure to follow these bundled programs:

1. Raise the head to transport position.
2. Use the recommended loading floor to load machine.
3. The front of the machine adjoins to the front part of the truck or trailer. After the machine is put in place, lowering the head of brush and turning the key to the closed position.
4. Place obstacles in the rear of each drive wheel to prevent the machine slides.
5. Use the rope to fix the top of machine in order to prevent slanting. You must furnish the brackets in the truck or trailer's car plates. For security reason:

When moving the machine, use loading floor to load machine from the truck or trailer, and rope the machine to fix the car plate.

The Storage Of Machine

1. Please charge the battery before storage. Do not store when the battery is flat.
2. Drain and rinse clean the flume box completely .

Shanghai Jianghuai Environmental Equipment Co.,LTD

3. Please store the machine in a dry place, and the brush head should be kept in the rising position.
4. Open the sewage tank cover for ventilation. Note: Do not allow the machine to rain, please store in the interior.
5. If store the machine in the cold environment, please drain all the liquid inside the machine.

Operational steps

1.Add detergent and defoamer



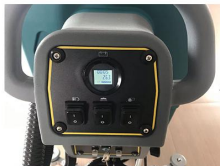
2.Inject clean water



3.Install suction harrow



6.Turn on the brush plate motor switch and the suction rake motor switch



5.Remove the brush plate rise and fall pedal and put down the brush disk cover



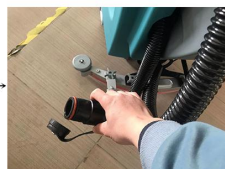
4.Turn on the key switch



7.Start working



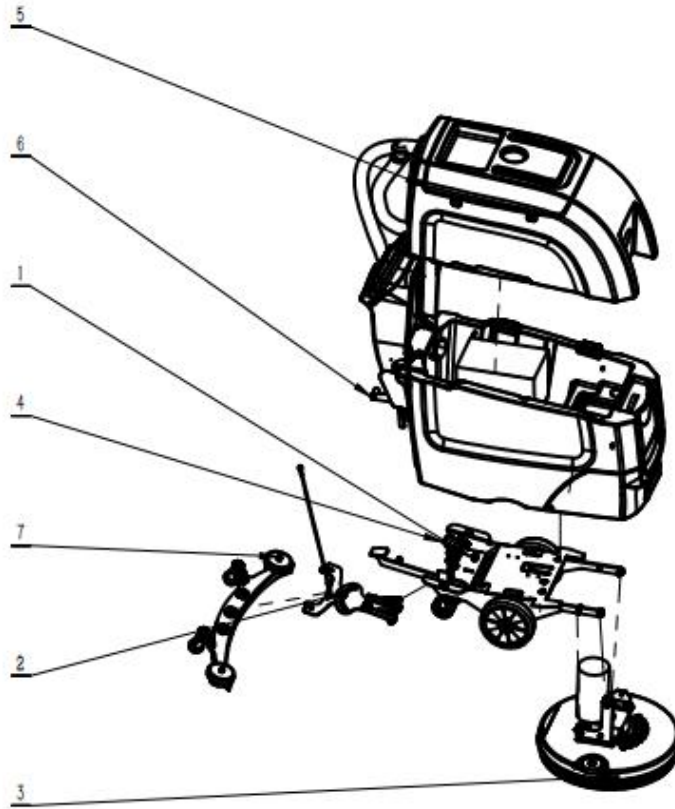
8.Let the sewage out



9.Finish the work
rinse the sewage tank with clean water



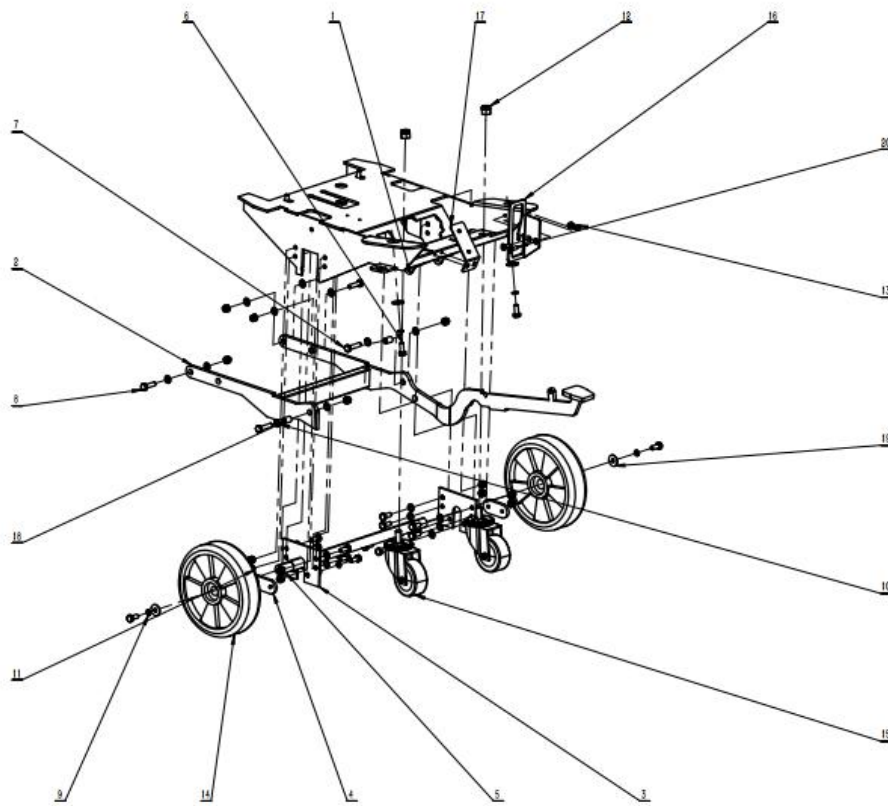
MACHINE COMPONENTS



Serial number	Part number	Name
1	PART1	Base system
2	PART2	Rope pulling system
3	PART3	Brush disc motor system
4	PART4	Waterway system
5	PART5	Sewage tank system
6	PART6	Clean water tank system
7	PART7	Suction raking system

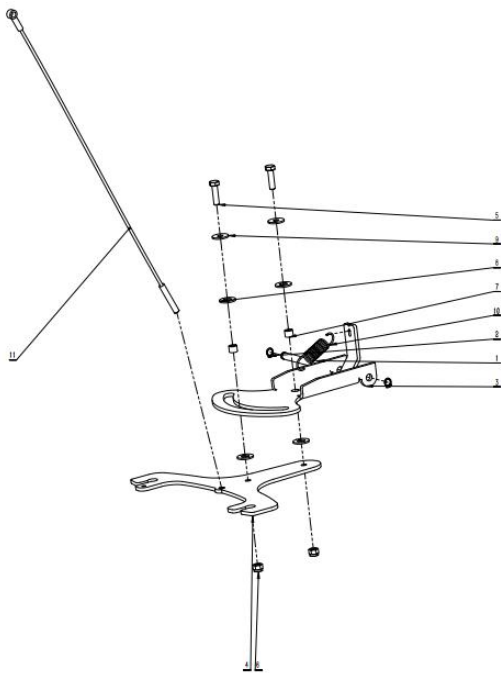
Shanghai Jianghuai Environmental Equipment Co.,LTD

PART1 Base system



Shanghai Jianghuai Environmental Equipment Co.,LTD		
Serial number	Part number	Name
1	A010105	Aase frame
2	A010108	Machine head lift bracket
3	A010123	Axle limit plate
4	A010122	Axle fixing plate
5	C010100	Caster connecting shaft
6	G010130	Outer hexagon M8×20
7	G010150	Outer hexagon M8×35
8	G010140	Outer hexagon M8×30
9	G010103	Spring pad M8
10	G010104	Flat washer M8X16X1.5
11	G010108	Self-locking nut M8
12	G010166	Self-locking nut M12
13	G010110	Self-locking nut M6
14	G010131	Bearing caster Φ200X50
15	G010165	3 inch universal wheel
16	A010111	Pedal bracket
17	A010112	Filter holder
18	C010108	Copper sleeve Φ8xΦ12x17
19	G010138	Flat washer M8x24×2
20	G010106	Hexagon countersunk head M6×20

PART2 Rope pulling system

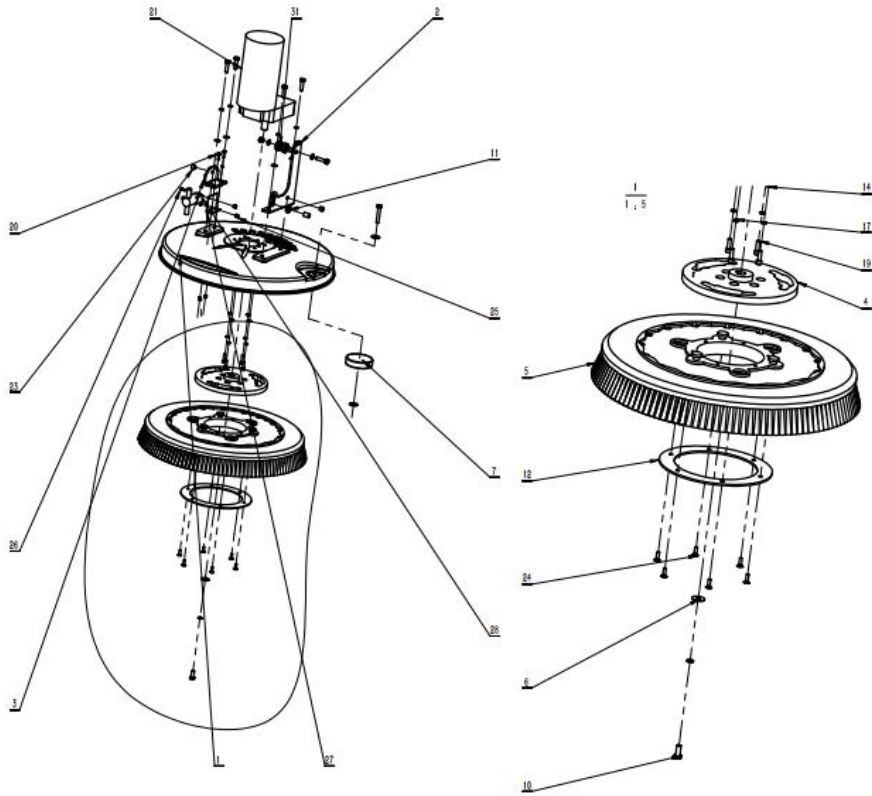


Shanghai Jianghuai Environmental Equipment Co.,LTD

Serial number	Part number	Name
1	C010101	Suction connecting shaft
2	G010139	Outer snap ring $\varphi 9$
3	A010101	Top bracket
4	A010102	Bottom bracket
5	G010140	Outer hexagon M8 \times 30
6	G010108	Self-locking nut M8
7	C010109	Copper sleeve $\Phi 8 \times \Phi 12 \times 9$
8	G010141	Nylon Spacer 12 \times 24 \times 2
9	G010138	Flat washer M8 \times 24 \times 2
10	C010114	Tension spring $\Phi 2.8 \times \Phi 20 \times 109$
11	C010112	Pull the head

PART3 Brush disc motor system

Shanghai Jianguai Environmental Equipment Co.,LTD



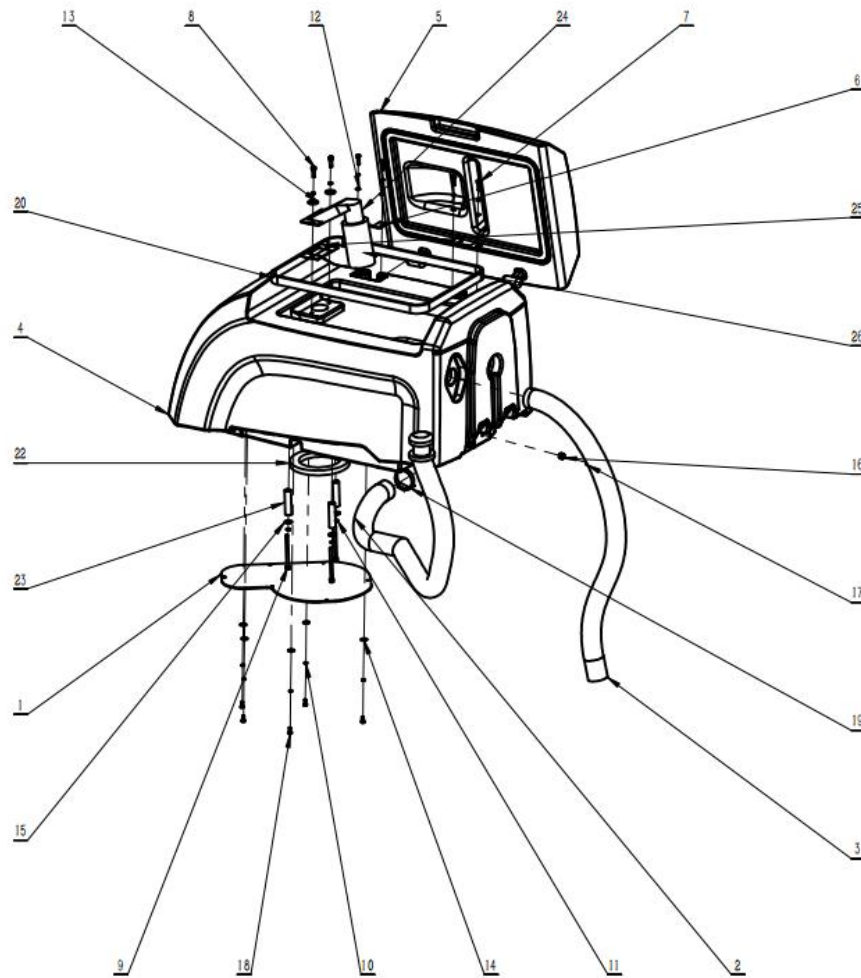
Serial number	Part number	Name
1	C010119	Brush cover 560
2	A010110	Head support
3	A010109	Head support
4	C010120	Magnetic brush disc buckle
5	B010117	19 inch brush plate
6	G010138	Flat washer M8x24x2
7	B010113	Machine head anti-collision wheelΦ100x20
8	G010111	Hexagonal half tooth M8x50
9	G010140	Outer hexagon M8x30
10	G010130	Outer hexagon M8x20
11	G010141	Oylon Spacer 12x24x2
12	A010104	Magnetic brush disc
13	G010104	Flat washer M8X16X1.5
14	G010137	Flat pad φ6x12x1
15	G010120	Flat pad φ5x10x1
16	G010103	Spring pad M8

Shanghai Jianghuai Environmental Equipment Co.,LTD

17	G010126	Spring pad M6
18	G010121	Spring pad M5
19	G010106	Hexagon socket head screw M6×20
20	G010134	Hexagon socket head screw M5×16
21	E010113	Brush motor 24V 550W Φ18
22	C010108	Copper sleeve Φ8xΦ12x17
23	C010109	Copper sleeve Φ8xΦ12x9
24	G010164	Hexagon socket head countersunk head screw M5×16
25	G010135	Self-locking nut M5
26	G010100	Cross recessed pan head screw M5×12
27	A010106	Solenoid valve bracket
28	E010103	Solenoid valve 24V
29	B010118	Skirt 560
30	G010108	self-locking nut M8
31	G010163	deep groove ball bearing 6001
32	G010150	outer hexagon M8×35

PART 5 Sewage tank system

Shanghai Jianguai Environmental Equipment Co.,LTD

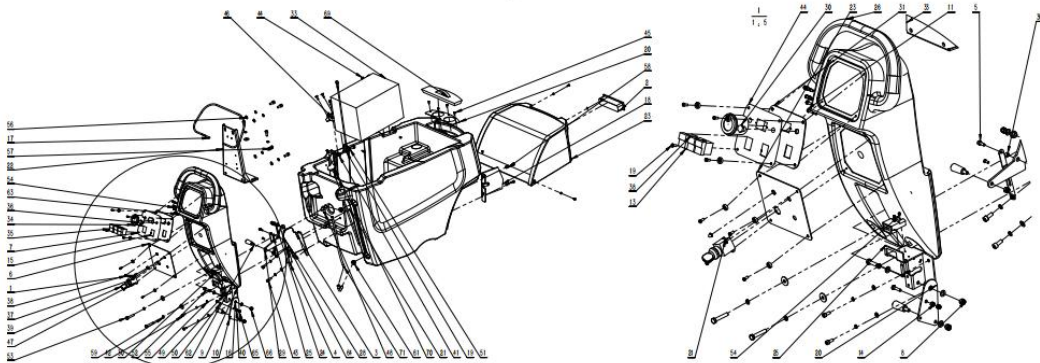


Serial number	Part number	Name
1	A010114	Suction motor cover
2	B010107	Sewage pipe Φ38*600 (01+09)
3	B010106	Sewage suction pipe Φ38x1100 (01+07)
4	B010101	Wastewater tank 530
5	B010102	Recovery tank cover 530
6	A010115	Recovery tank cover connector
7	G010167	Hexagon socket head screw M5×20
8	G010106	Hexagon socket head screw M6×20
9	G010162	Hexagon socket head screw M6×85
10	G010121	Spring pad M5
11	G010126	Spring pad M6
12	G010120	Flat pad φ5x10x1
13	G010138	Flat washer M8x24×2
14	G010124	Large washer 5x15x1.5
15	G010118	Flat washer M6x18×1.5

Shanghai Jianghuai Environmental Equipment Co.,LTD

16	G010158	Hex Nut M8
17	G010132	Outer hexagon M8×25
18	G010100	Cross recessed pan head screw M5×12
19	G010127	Clamp 33-57
20	G010125	Water tank cover seal
21	E010114	Water suction motor 24V500W (bypass)
22	G010119	Motor sealing ringΦ150xΦ105x13
23	G010161	PU stick
24	B010111	Main body of suction port
25	G010123	Suction port gasket
26	G010122	Suction filter

PART6 Clean water tank system



serial number	part number	name
1	B010100	Clear water tank 530
2	B010104	Motor cover 530
3	G010105	Hinge 65x65
4	G010107	Bakelite handle M8X40
5	G010117	Hexagon socket head screw M6×16
6	G010153	Hexagon socket head screw M8x20
7	G010126	Spring pad M6
8	G010103	Spring pad M8
9	G010137	Flat pad φ6x12x1
10	G010104	Flat washer M8X16X1.5
11	G010120	Flat pad φ5x10x1

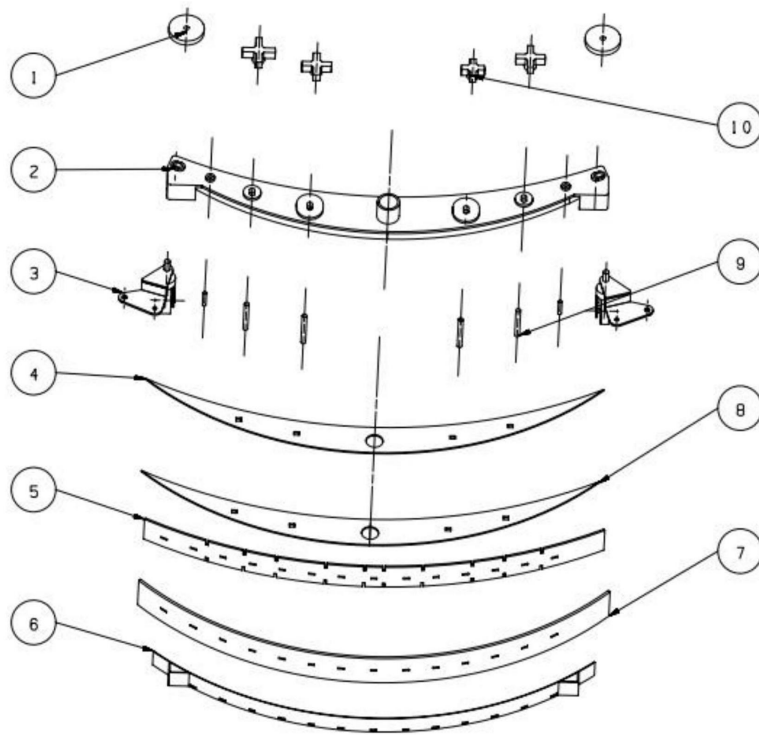
Shanghai Jianghuai Environmental Equipment Co.,LTD

12	G010108	Self-locking nut M8
13	G010152	Self-locking nut M3
14	G010110	Self-locking nut M6
15	G010135	Self-locking nut M5
16	G010138	Flat washer M8x24x2
17	G010140	Outer hexagon M8x30
18	G010154	Outer hexagon M6x25
19	G010151	Outer hexagon M3x20
20	G010155	Outer hexagon M8x45
21	G010132	Outer hexagon M8x25
22	G010106	Hexagon countersunk head M6x20
23	G010101	Plastic flat pad M5
24	G010109	Hex Nut M6
25	G010158	Hex Nut M8
26	G010116	Cross recessed pan head tapping screw ST4.2X13
27	G010156	Filter
28	G010157	chain
29	G010160	cable tie holder
30	G010100	Cross recessed pan head screw M5x12
31	A010103	Lifting rocker arm
32	E010106	Overload protector 25A
33	E010105	Overload protector 45A
34	A010124	switch panel
35	E010112	key switch
36	A010116	rocker bracket
37	B010103	handle 530
38	A010117	pressure bracket
39	A010119	Pressure bracket rocker arm
40	A010130	joystick
41	E010118	Speed knob
42	A010129	control panel
43	A010121	Sewage pipe hook
44	A010113	Fresh water tank bracket
45	A010107	Machine head clean water tank bracket
46	A010120	Sheet metal of water injection port
47	C010110	Copper sleeve $\Phi 8 \times \Phi 12 \times 4$
48	C010111	Copper sleeve $\Phi 6 \times \Phi 10 \times 6$
49	E010111	battery indicator
51	E010117	forward and backward switch
52	F010102	Control Panel Tab 530
53	A010128	Micro switch bracket

Shanghai Jianghuai Environmental Equipment Co.,LTD

54	E010119	Micro Switch
55	C010118	Tension spring 35x16x1.2
56	F010103	Switch Panel Label 530
57	A010118	pressure bracket link
58	C010115	Tension spring $\Phi 3 \times \Phi 25 \times 170$
59	F010104	Pressurized labels
60	C010103	Copper sleeve $\Phi 8 \times \Phi 12 \times 8 / \Phi 16 \times 2$
61	C010113	Compression spring $\Phi 3 \times \Phi 17 \times 22$
62	C010114	Tension spring $\Phi 2.8 \times \Phi 20 \times 109$
63	B010115	Water filler cap 530
64	B010116	Small water filler cap
65	C010105	Water tank cable 350
66	E010122	Anderson plug 50A
67	E010121	Battery 24V100Ah

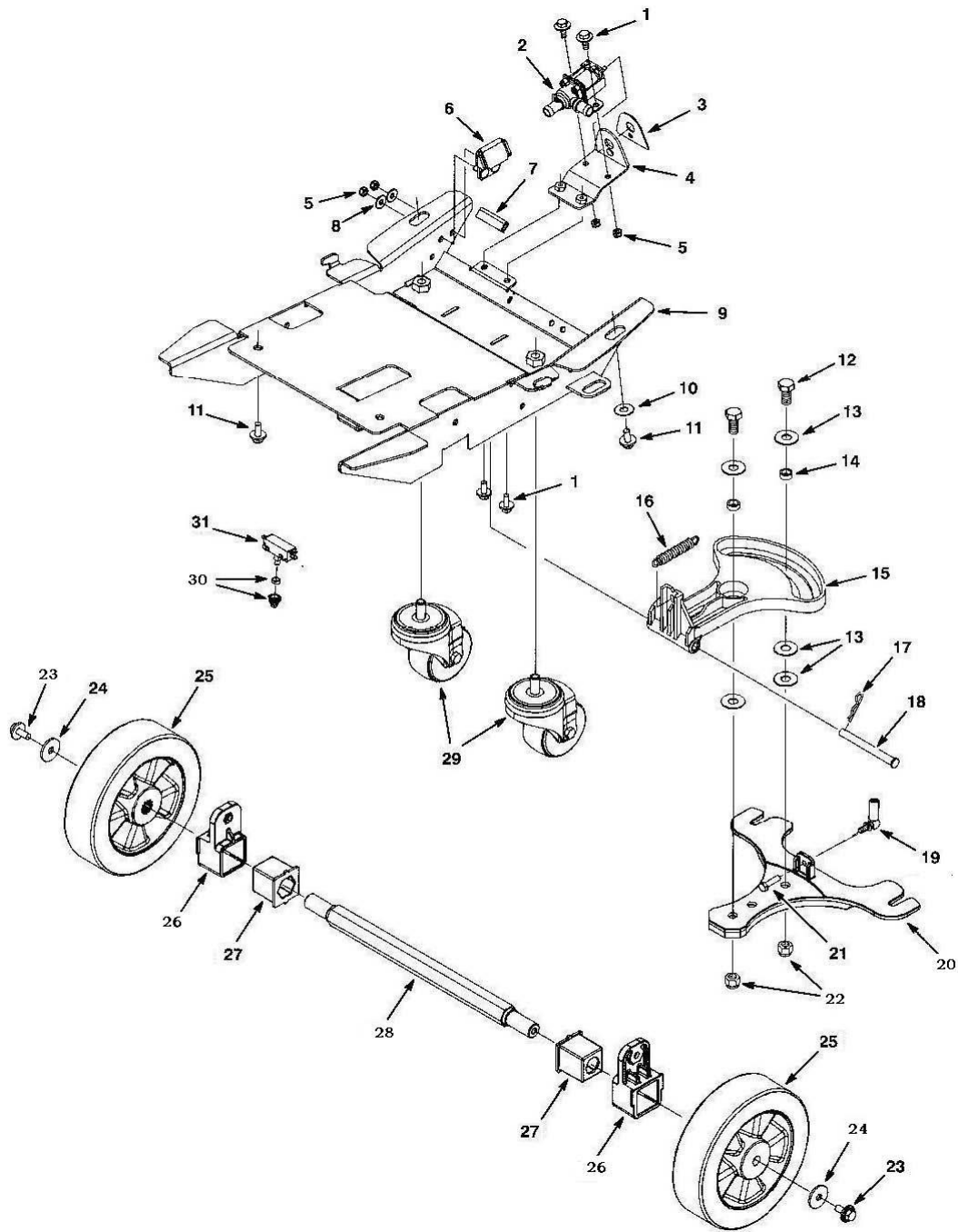
PART 7 Suction raking system



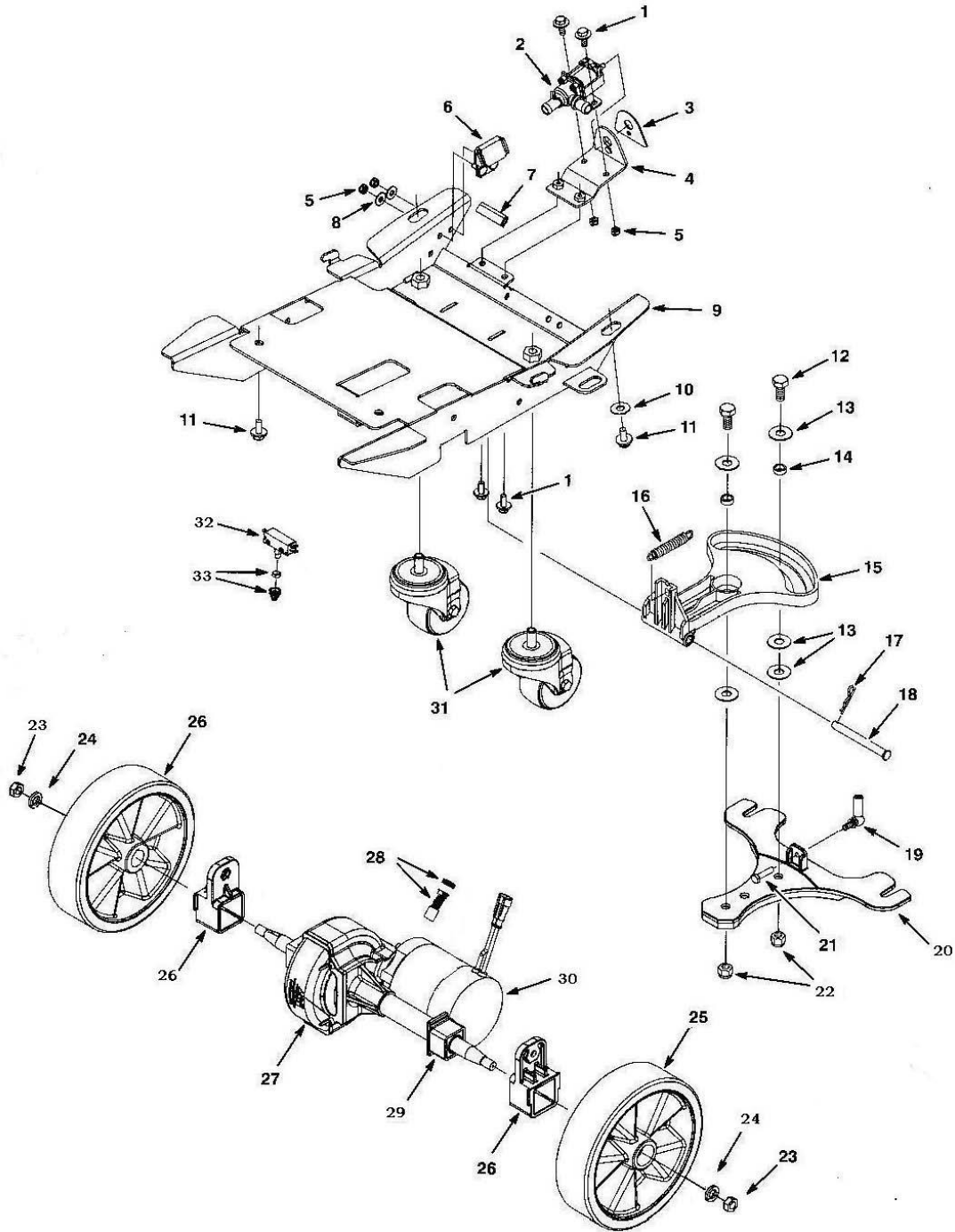
- 1. anti-collision wheel
- 2.squeegee main frame
- 3.squeegee support frame
- 4.Iron Attachment
- 5.front absorbent rubber
- 6. Absorbent rubber bead
- 7.Rear absorbent rubber
- 8.Absorbent film iron card
- 9.screw
- 10.Phillips nut

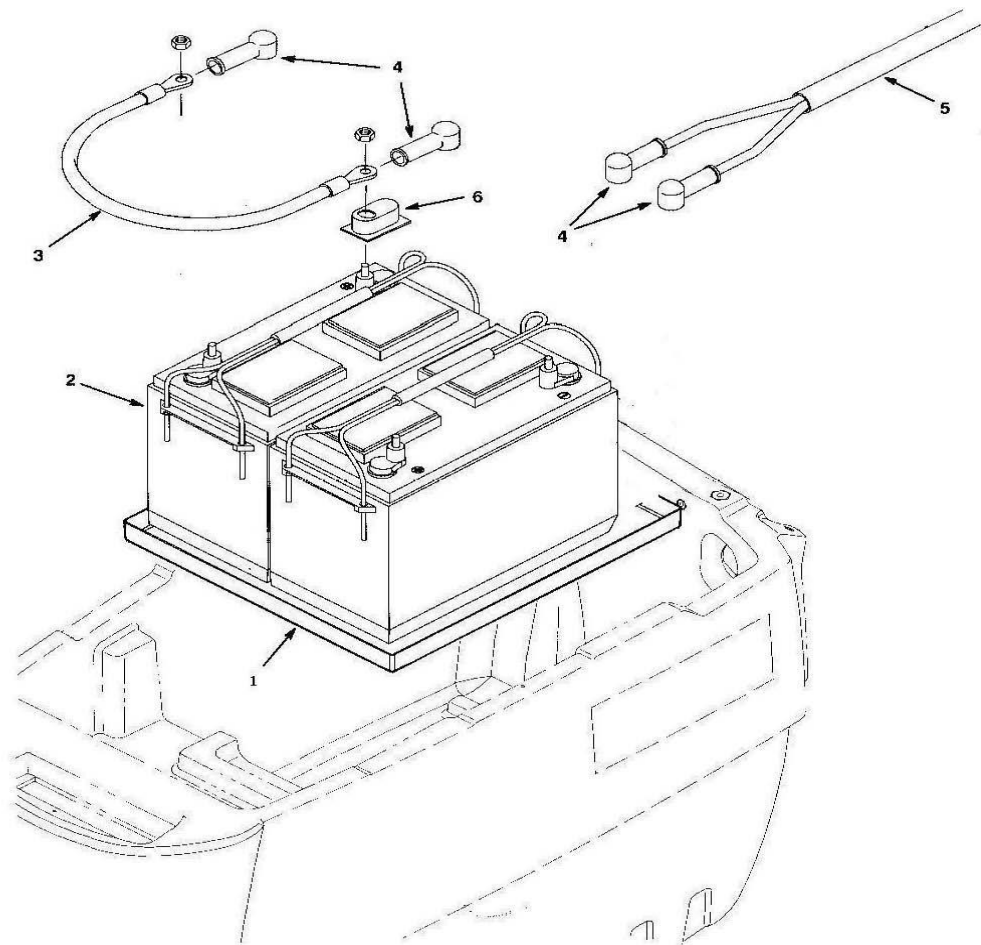
Armrest box system

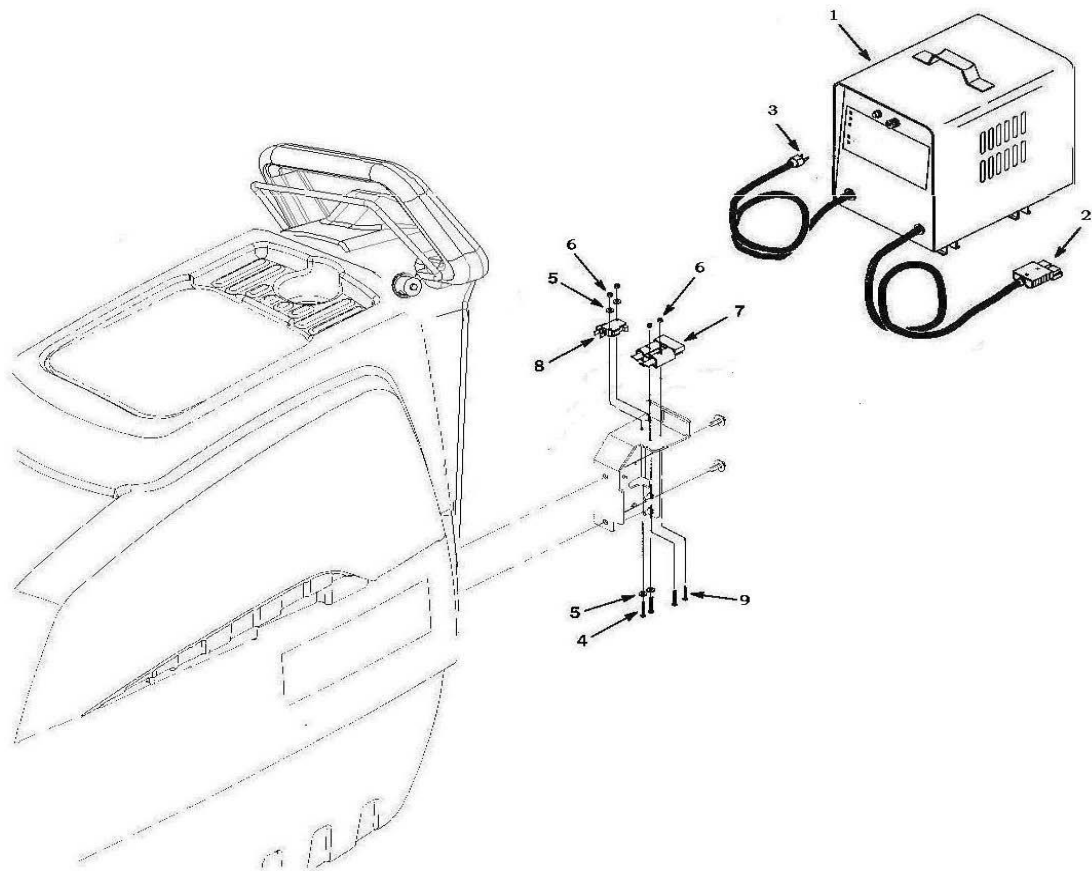
SJ530



SJ530T







Trouble excluding

Shanghai Jianguhai Environmental Equipment Co.,LTD

Problem	Reason	Solution
The machine can not operate	Battery no power	Charging the batteries
	Battery Fault	Replacing the battery
	Loose battery cable	Tighten the battery cable
	Main fuse blown	Replace the fuse
Brush motor does not work	Brush lifted off the ground	Lower brush
	Battery charge gauge locked does not start	Charging the batteries
	Brush motor Circuit breaker tripped	Reset the button of brush circuit breaker
	Brushes (up / down) switch failure	Please contact the service center
	Motor carbon brush fray	Please contact the service center
Vacuum motor does not work	The squeegee is raised off the ground	Lower squeegee
	Vacuum motor fuse has blown	Replace the fuse
	Vacuum motor or wiring fault	Please contact the service center
	Motor carbon brush fray	Please contact the service center
Small or anhydrous outflow	Solution tank filter or solution tube blockage	Cleaning solution tank filter
	The flow rate of the flow control knob is set too low	Adjust the water flow control knob
	Release control knob screw	After lubricating the knob locking screw
Low recovery efficiency of sewage	Sewage tank is full	Drain the recovery tank
	Squeegee blade fray	Replace the squeegee blade
	Suction tube blockage	Clear clogged debris
	Sewage tank seal damage	Replace sealing strip
	Vacuum motor failure	Please contact the service center
Running time shortened	Battery defective	Replace battery
	Battery charge fault	Repair or replace battery charger

Hand Push Floor Scrubber

Technical Specification	UNIT	SJ530
Voltage	V/AH	24/120
Floor motor	W	550
Water sucker motor	W	500
Power	W	1150
Cleaning width	mm	530
Suction width	mm	780
Cleaning efficiency	m ² /h	2200
Brushing rotation speed	Rpm	185
Sucking power	Mbar	180
Clean water tank capacity	L	50
Sewage tank capacity	L	56
Machine weight (with battery)	Kg	225
Length ×width ×height	Cm	127*55*109

MACHINE DIMENSIONS

